



273 Branchport Avenue
 Long Branch, NJ 07740
 (800) 631-2148
 www.wheelockinc.com

Thank you for using our products.

**INSTALLATION INSTRUCTIONS
 SPRM REMOTE MICROPHONE FOR USE WITH SP40/2**

Use this product according to this instruction manual. Please keep this instruction manual for future reference.

MODEL NUMBER:

SPRM 108996

GENERAL:

The Remote Microphone is UL Listed under Standard 864, Control Units for Fire-Protective Signaling Systems. **They are Listed for indoor use only.** The Remote Microphone is designed to be used with Wheelock's SP40/2 SAFEPATH4 Panel. It provides a means for making emergency voice announcements from an auxiliary location. Only 1 Remote Microphone can be connected to the SP40/2 Panel. The hand held push-to-talk microphone is supervised to ensure proper connection. It is not repairable. If it is detached from the unit, the unit must be returned for repair.

NOTE: All CAUTIONS and WARNINGS are identified by the symbol ⚠. All warnings are printed in bold capital letters.

⚠ WARNING: PLEASE READ THESE INSTRUCTIONS CAREFULLY BEFORE USING THIS PRODUCT. FAILURE TO COMPLY WITH ANY OF THE FOLLOWING INSTRUCTIONS, CAUTIONS AND WARNINGS COULD RESULT IN IMPROPER APPLICATION, INSTALLATION AND/OR OPERATION OF THESE PRODUCTS IN AN EMERGENCY SITUATION, WHICH COULD RESULT IN PROPERTY DAMAGE AND SERIOUS INJURY OR DEATH TO YOU AND/OR OTHERS.

SPECIFICATIONS:

Power Input Voltage: 24VDC
 Audio Output Level: 1.05V RMS
 Output Impedance: 600 Ohms
 Input Current: Standby: 26mA
 Alarm: 38mA

WIRING DIAGRAM:

Figure 1 shows the proper wiring connections for connecting the SPRM to the SP40/2.

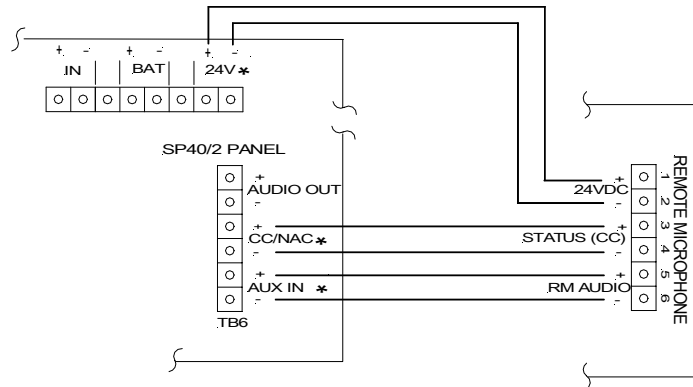


Figure 1.

*** This wiring is power limited.**

NOTE: All wiring is supervised unless otherwise noted.

WIRING SPECIFICATIONS:

Cable Size: 14-18 American Wire Gauge (AWG) Shielded. The shield must be connected only at the SP40/2 Panel.
 Maximum Length: 2000 Feet
 Maximum Capacitance: 0.1uF/Total Run (50pF/foot for 1000 FT.)

Copyright 2002 Wheelock, Inc. All rights reserved.

MOUNTING INSTRUCTIONS:

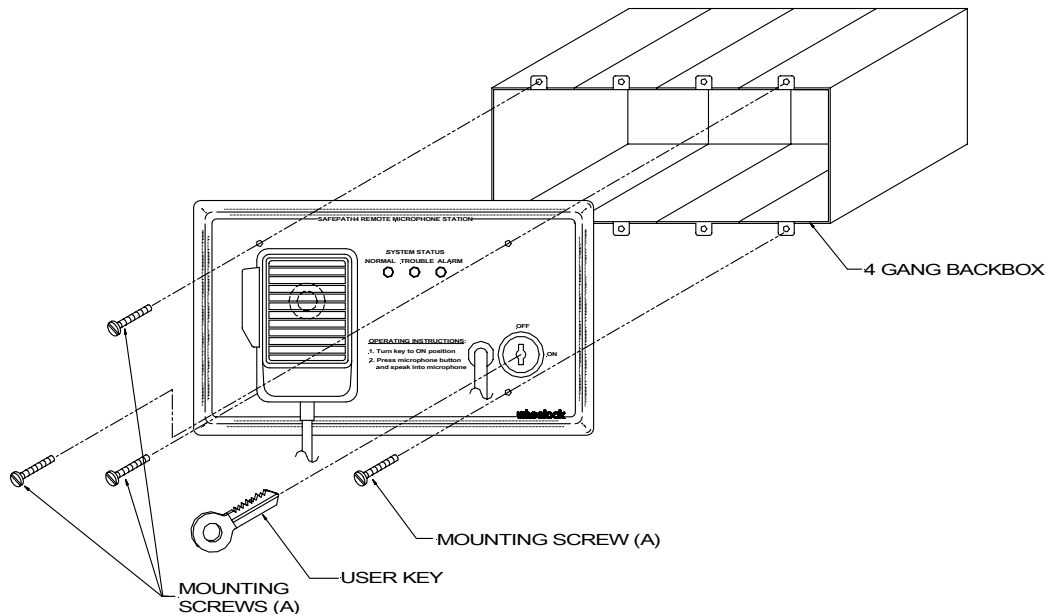


Figure 2.

Figure 2 shows the proper mounting requirements for the *SPRM*.

1. Install a 4" gang backbox (either flush or surface) to the desired location. Be sure that the mounting box is level.
2. Attach the 6 wires as shown in the wiring diagram (Figure 1). Be sure to use the specified wire.
3. Attach the mounting plate to the box with the 4 screws as shown in Figure 2.

OPERATING INSTRUCTIONS:

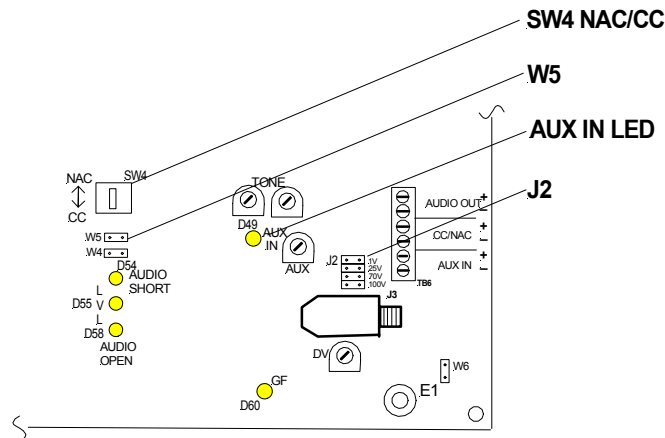


Figure 3.

Figure 3 shows the locations of the switches and LED's on the SP40/2 that require operation during operation and troubleshooting.

1. Set switch **SW4** (NAC/CC) to the CC position.
2. Set the jumper on **J2** to the 1V position.
3. Remove the jumper on **W5**.
4. Insert key and turned to the ON position for the controls to function. (The key is removable only in the OFF position.)
5. Install a UL Listed 10K Ohm End of Line Resistor (EOLR) on the AUX IN of SP40/2.

⚠ WARNING: IF W5 JUMPER IS NOT REMOVED THE SP40/2 WILL NOT BE ABLE TO DETECT ANY REMOTE MIC TROUBLE.

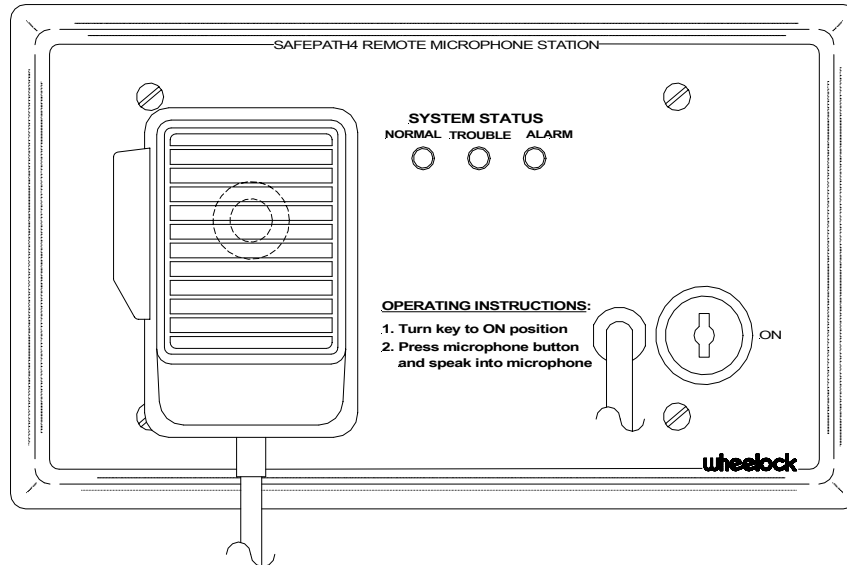


Figure 4.

Figure 4 shows the SPRM front panel and the location of the LED's.

NOTE: The green and yellow LED's reflect the system's condition regardless of the key position. The green LED indicates there are no faults in the *SPRM*. The yellow LED indicates a trouble condition has occurred in the *SPRM*. The red LED indicates the *SPRM* is ready to transmit the live voice of the operator.

6. With the mouth one to two inches from the microphone, press the microphone push-to-talk button and speak into the microphone and deliver the live audible announcement.

TROUBLESHOOTING:

The yellow "TROUBLE" LED illuminates when there is a problem with the wiring between the *SP40/2* and the *SPRM*, or when an EOLR is not sensed.

1. The wiring problems that can occur can be improper wiring (reversed) on the Audio connections and/or CC connections.
2. The TROUBLE LED will also light if the 10K Ohm EOLR is not sensed on the "RM AUDIO" output of the *SPRM*. This can be caused by open or shorted wiring between the "AUDIO" connection on the *SPRM* and the "AUX IN" on the *SP40/2*. It can also be caused by the EOLR being missing or improperly connected at the "AUX IN" terminals on the *SP40/2*. This will also provide a trouble condition on the *SP40/2* panel with the TROUBLE LED illuminated and the "AUX IN" (Auxiliary Input) LED ON. (The *SP40/2* internal sounder will also sound.)
3. If checking and/or correcting problems found in steps 1 or 2 do not correct the trouble, then the *SPRM* should be replaced.

ANY MATERIAL EXTRAPOLATED FROM THIS DOCUMENT OR FROM WHEELLOCK MANUALS OR OTHER DOCUMENTS DESCRIBING THE PRODUCT FOR USE IN PROMOTIONAL OR ADVERTISING CLAIMS, OR FOR ANY OTHER USE, INCLUDING DESCRIPTION OF THE PRODUCT'S APPLICATION, OPERATION, INSTALLATION AND TESTING IS USED AT THE SOLE RISK OF THE USER AND WHEELLOCK WILL NOT HAVE ANY LIABILITY FOR SUCH USE.

Limited Warranty

Wheelock products must be used within their published specifications and must be PROPERLY specified, applied, installed, operated, maintained and operationally tested in accordance with these instructions at the time of installation and at least twice a year or more often and in accordance with local, state and federal codes, regulations and laws. Specification, application, installation, operation, maintenance and testing must be performed by qualified personnel for proper operation in accordance with all of the latest National Fire Protection Association (NFPA), Underwriters' Laboratories (UL), Underwriters' Laboratories of Canada (ULC), National Electrical Code (NEC), Occupational Safety and Health Administration (OSHA), local, state, county, province, district, federal and other applicable building and fire standards, guidelines, regulations, laws and codes including, but not limited to, all appendices and amendments and the requirements of the local authority having jurisdiction (AHJ). Wheelock products when properly specified, applied, installed, operated, maintained and operationally tested as provided above are warranted against mechanical and electrical defects for a period of three years from date of manufacture (as determined by date code). Correction of defects by repair or replacement shall be at Wheelock's sole discretion and shall constitute fulfillment of all obligations under this warranty. THE FOREGOING LIMITED WARRANTY SHALL IMMEDIATELY TERMINATE IN THE EVENT ANY PART NOT FURNISHED BY WHEELOCK IS INSTALLED IN THE PRODUCT. THE FOREGOING LIMITED WARRANTY SPECIFICALLY EXCLUDES ANY SOFTWARE REQUIRED FOR THE OPERATION OF OR INCLUDED IN A PRODUCT. WHEELOCK MAKES NO REPRESENTATION OR WARRANTY OF ANY OTHER KIND, EXPRESS, IMPLIED OR STATUTORY WHETHER AS TO MERCHANTABILITY, FITNESS FOR A PARTICULAR PURPOSE OR ANY OTHER MATTER.

USERS ARE SOLELY RESPONSIBLE FOR DETERMINING WHETHER A PRODUCT IS SUITABLE FOR THE USER'S PURPOSES, OR WHETHER IT WILL ACHIEVE THE USER'S INTENDED RESULTS. THERE IS NO WARRANTY AGAINST DAMAGE RESULTING FROM MISAPPLICATION, IMPROPER SPECIFICATION, ABUSE, ACCIDENT OR OTHER OPERATING CONDITIONS BEYOND WHEELOCK'S CONTROL.

SOME WHEELOCK PRODUCTS CONTAIN SOFTWARE. WITH RESPECT TO THOSE PRODUCTS, WHEELOCK DOES NOT WARRANT THAT THE OPERATION OF THE SOFTWARE WILL BE UNINTERRUPTED OR ERROR-FREE OR THAT THE SOFTWARE WILL MEET ANY OTHER STANDARD OF PERFORMANCE, OR THAT THE FUNCTIONS OR PERFORMANCE OF THE SOFTWARE WILL MEET THE USER'S REQUIREMENTS. WHEELOCK SHALL NOT BE LIABLE FOR ANY DELAYS, BREAKDOWNS, INTERRUPTIONS, LOSS, DESTRUCTION, ALTERATION, OR OTHER PROBLEMS IN THE USE OF A PRODUCT ARISING OUT OF OR CAUSED BY THE SOFTWARE.

THE LIABILITY OF WHEELOCK ARISING OUT OF THE SUPPLYING OF A PRODUCT, OR ITS USE, WHETHER ON WARRANTIES, NEGLIGENCE, OR OTHERWISE, SHALL NOT IN ANY CASE EXCEED THE COST OF CORRECTING DEFECTS AS STATED IN THE LIMITED WARRANTY AND UPON EXPIRATION OF THE WARRANTY PERIOD ALL SUCH LIABILITY SHALL TERMINATE. WHEELOCK IS NOT LIABLE FOR LABOR COSTS INCURRED IN REMOVAL, REINSTALLATION OR REPAIR OF THE PRODUCT BY ANYONE OTHER THAN WHEELOCK OR FOR DAMAGE OF ANY TYPE WHATSOEVER, INCLUDING BUT NOT LIMITED TO, LOSS OF PROFIT OR INCIDENTAL OR CONSEQUENTIAL DAMAGES. THE FOREGOING SHALL CONSTITUTE THE SOLE REMEDY OF THE PURCHASER AND THE EXCLUSIVE LIABILITY OF WHEELOCK.

IN NO CASE WILL WHEELOCK'S LIABILITY EXCEED THE PURCHASE PRICE PAID FOR A PRODUCT.

Limitation of Liability

WHEELOCK'S LIABILITY ON ANY CLAIM OF ANY KIND, INCLUDING NEGLIGENCE AND BREACH OF WARRANTY, FOR ANY LOSS OR DAMAGE RESULTING FROM, ARISING OUT OF, OR CONNECTED WITH THIS CONTRACT, OR FROM THE MANUFACTURE, SALE, DELIVERY, RESALE, REPAIR OR USE OF ANY PRODUCT COVERED BY THIS ORDER SHALL BE LIMITED TO THE PRICE APPLICABLE TO THE PRODUCT OR PART THEREOF WHICH GIVES RISE TO THE CLAIM. WHEELOCK'S LIABILITY ON ANY CLAIM OF ANY KIND SHALL CEASE IMMEDIATELY UPON THE INSTALLATION IN THE PRODUCT OF ANY PART NOT FURNISHED BY WHEELOCK. IN NO EVENT SHALL WHEELOCK BE LIABLE FOR ANY CLAIM OF ANY KIND UNLESS IT IS PROVEN THAT OUR PRODUCT WAS A DIRECT CAUSE OF SUCH CLAIM. FURTHER, IN NO EVENT, INCLUDING IN THE CASE OF A CLAIM OF NEGLIGENCE, SHALL WHEELOCK BE LIABLE FOR INCIDENTAL OR CONSEQUENTIAL DAMAGES. SOME STATES DO NOT ALLOW THE EXCLUSION OR LIMITATION OF INCIDENTAL OR CONSEQUENTIAL DAMAGES, SO THE PRECEDING LIMITATION MAY NOT APPLY TO ALL PURCHASERS.