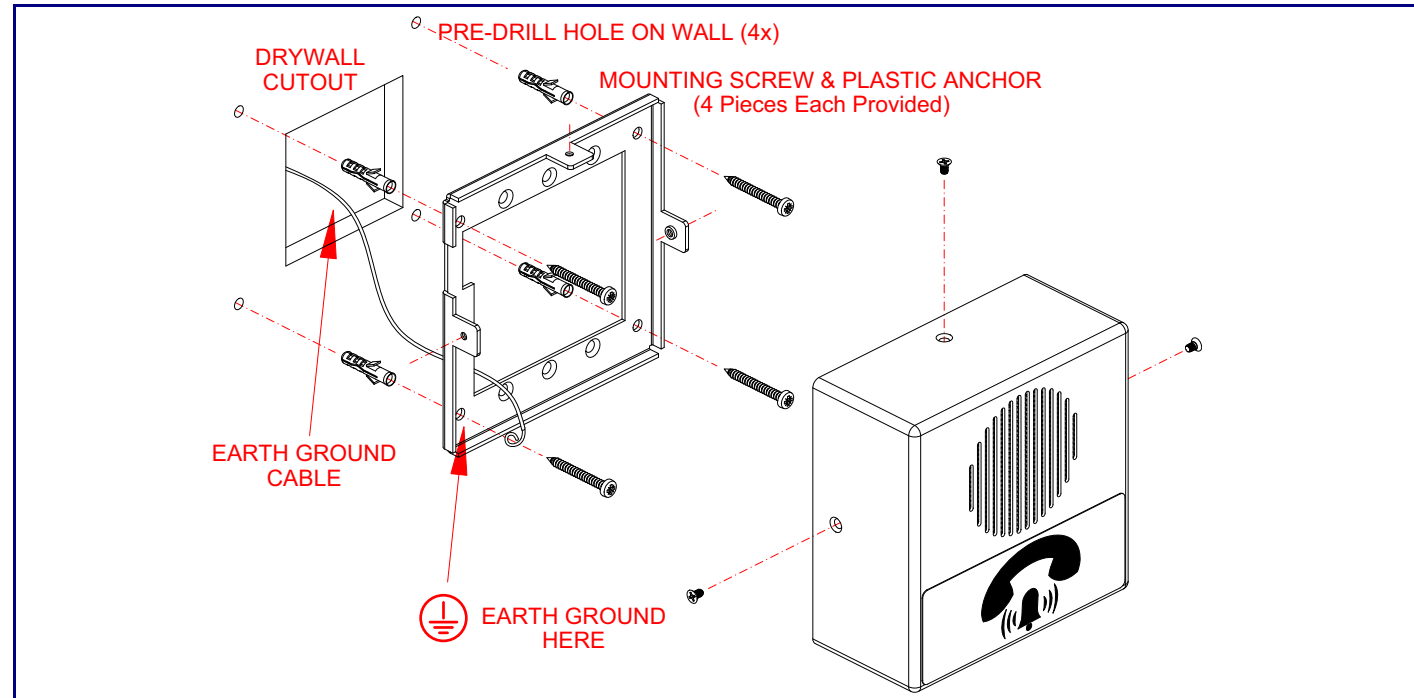
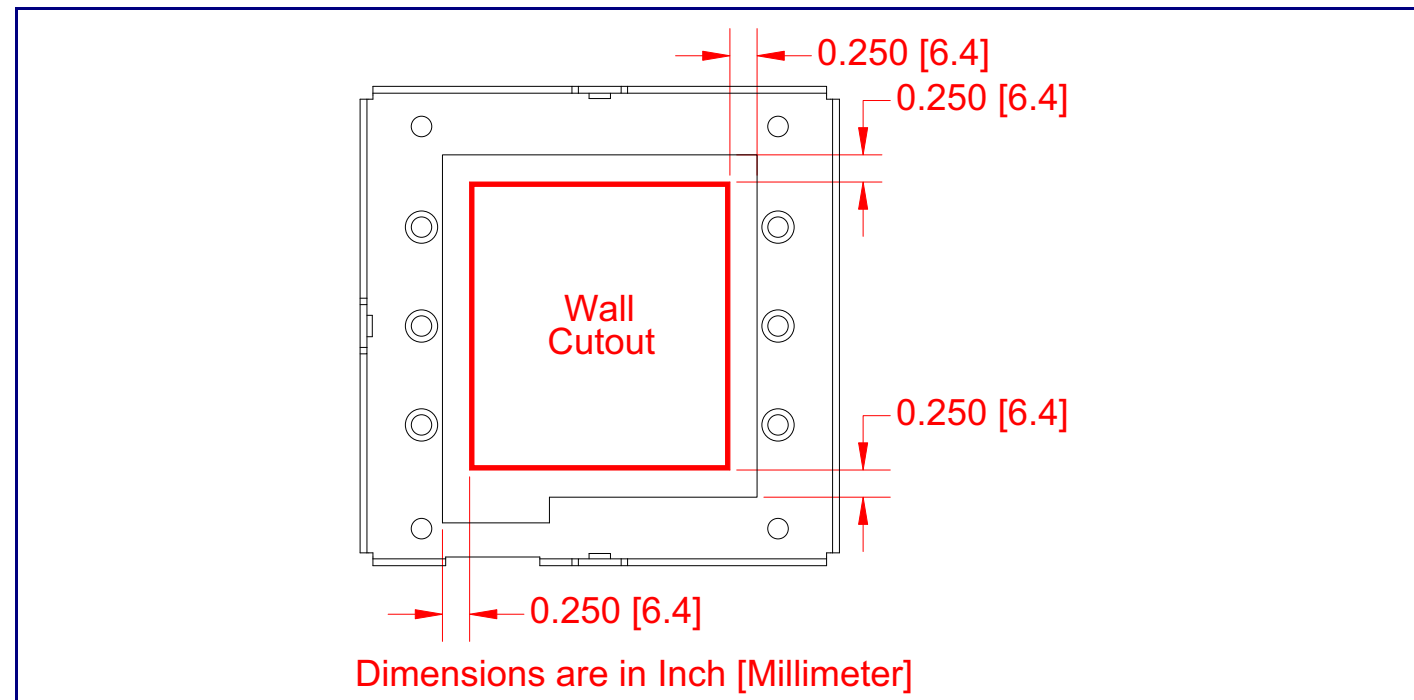


Wall Mounting Options



Recommended Wall Cutout Dimensions



Contacting CyberData

Corporate Headquarters

CyberData Corporation
3 Justin Court
Monterey, CA 93940, USA

Phone: 831-373-2601
Fax: 831-373-4193
www.CyberData.net

Sales: (831) 373-2601 ext. 334

Support: 831-373-2601 ext. 333

Web: <http://www.cyberdata.net/support/contactsupportvoip.html>

RMA Dept: (831) 373-2601 ext. 136

Email: RMA@CyberData.net

RMA Status: <http://www.cyberdata.net/support/rmastatus.html>

Warranty information is available at:

Web: <http://www.cyberdata.net/support/warranty/index.html>

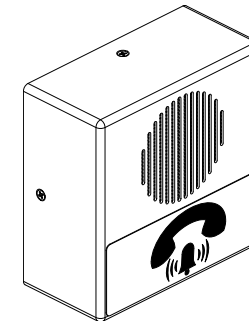
CyberData
The IP Endpoint Company

Installation Quick Reference

VoIP Indoor Office Ringer

SiP Compliant

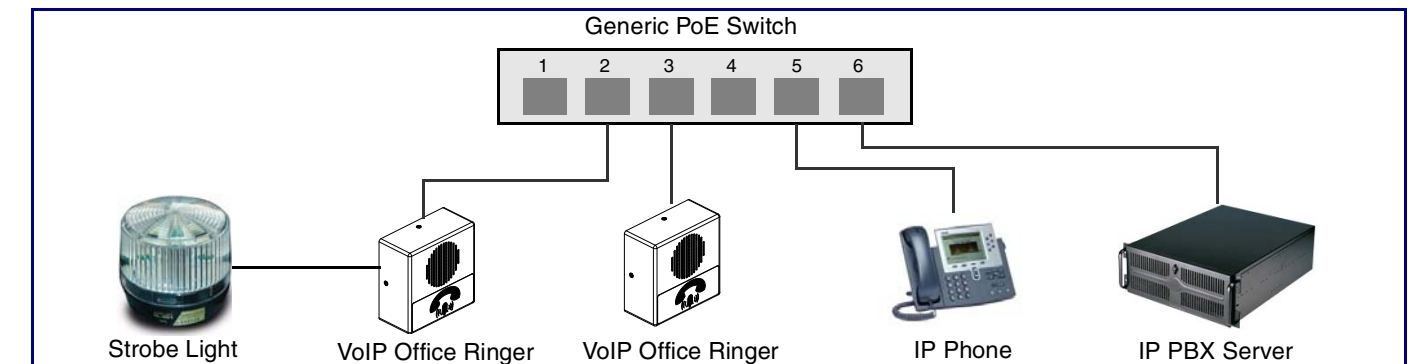
011149*, RAL 9003, Signal White



Parameter	Factory Default Setting
IP Addressing	DHCP
IP Address ^a	10.10.10.10
Web Access Username	admin
Web Access Password	admin
Subnet Mask ^a	255.0.0.0
Default Gateway ^a	10.0.0.1

a. Default if there is not a DHCP server present.

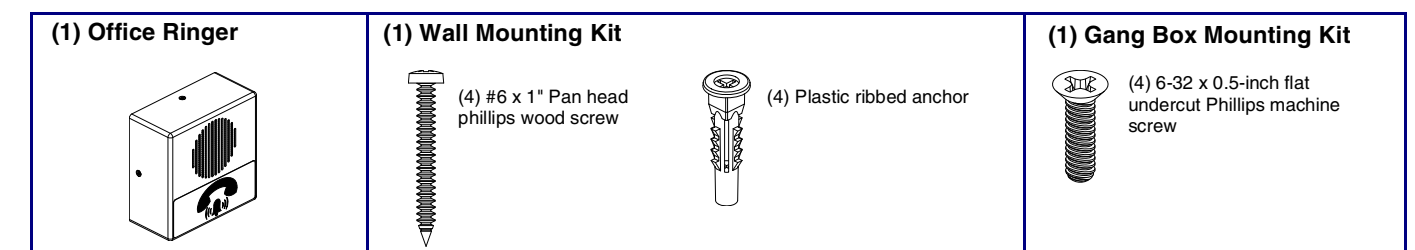
Typical System Installation



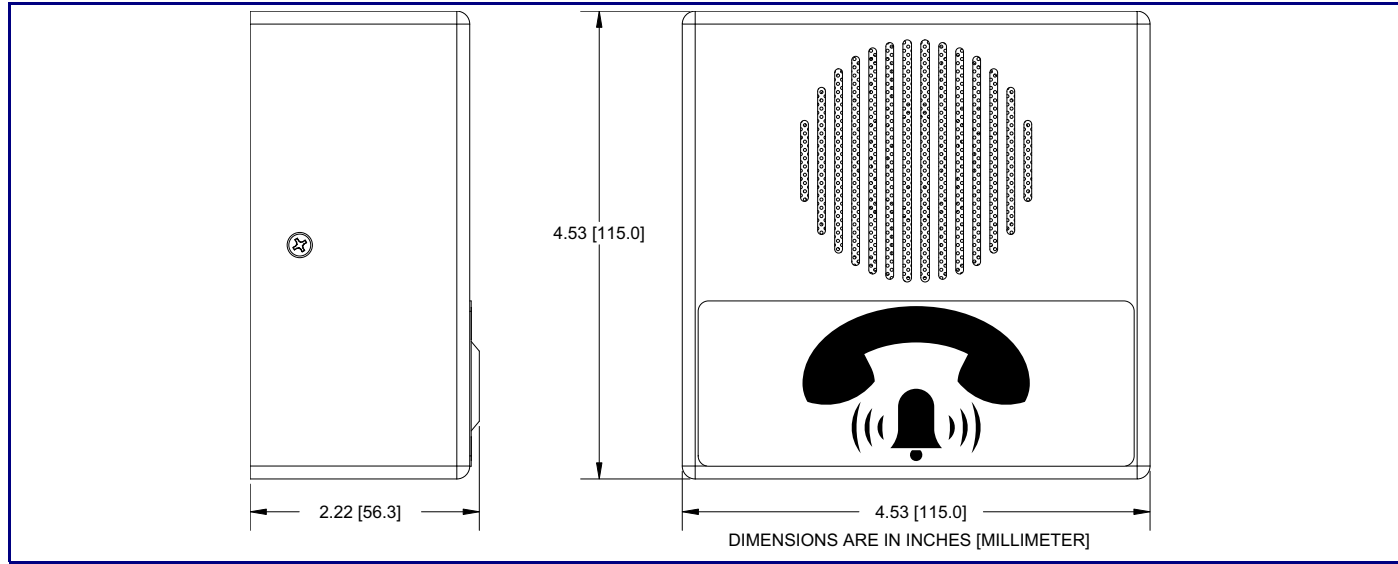
Getting Started

- Download the *VoIP Indoor Office Ringer Operations Guide* PDF file from the following website address:
<http://www.cyberdata.net/products/voip/digitalanalog/officeringer/docs.html>
- Create a plan for the locations of your Office Ringers.
- Prior to installation, consult local building and electrical code requirements.
- **WARNING: This enclosure is not rated for any AC voltages!**

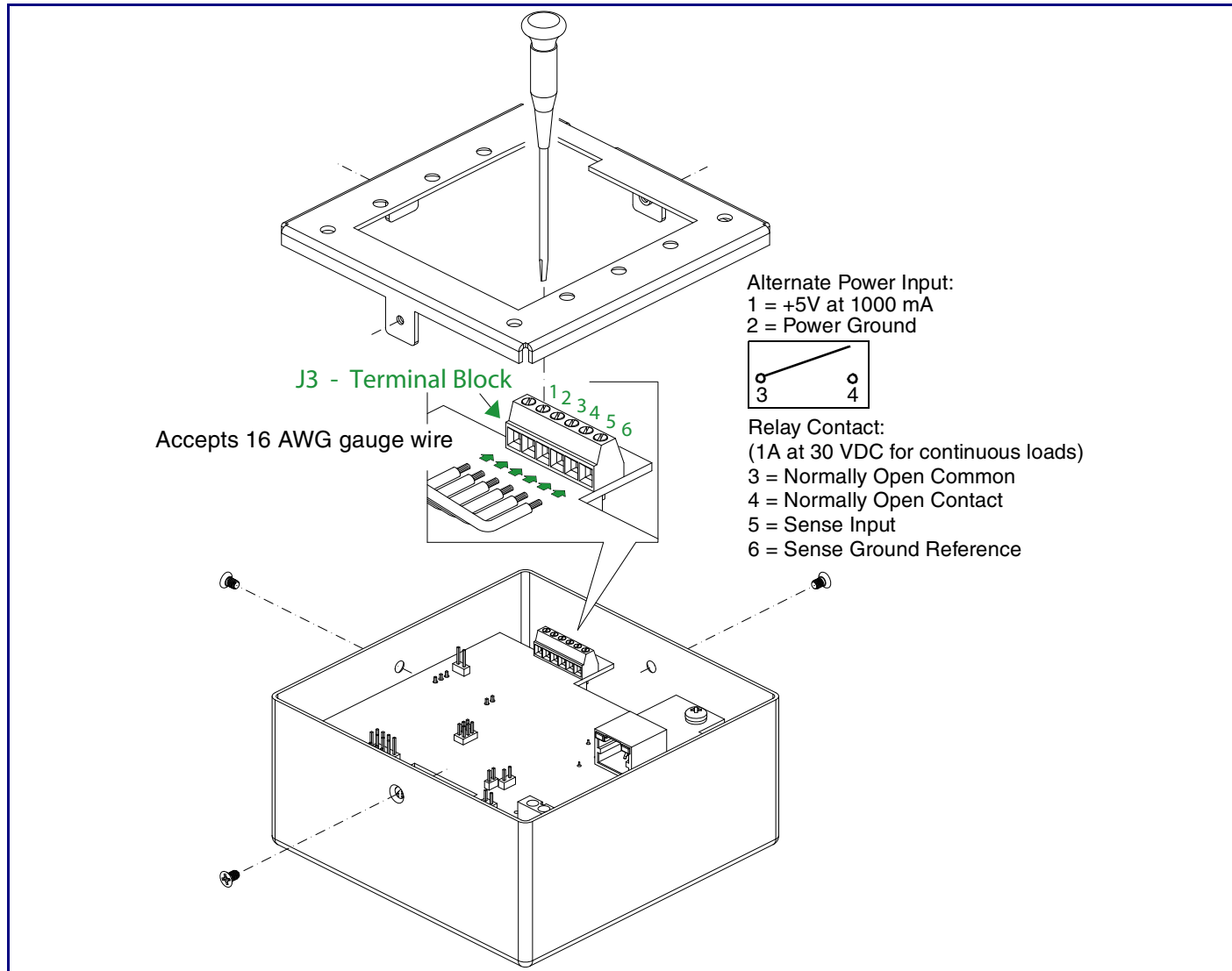
Office Ringer Parts



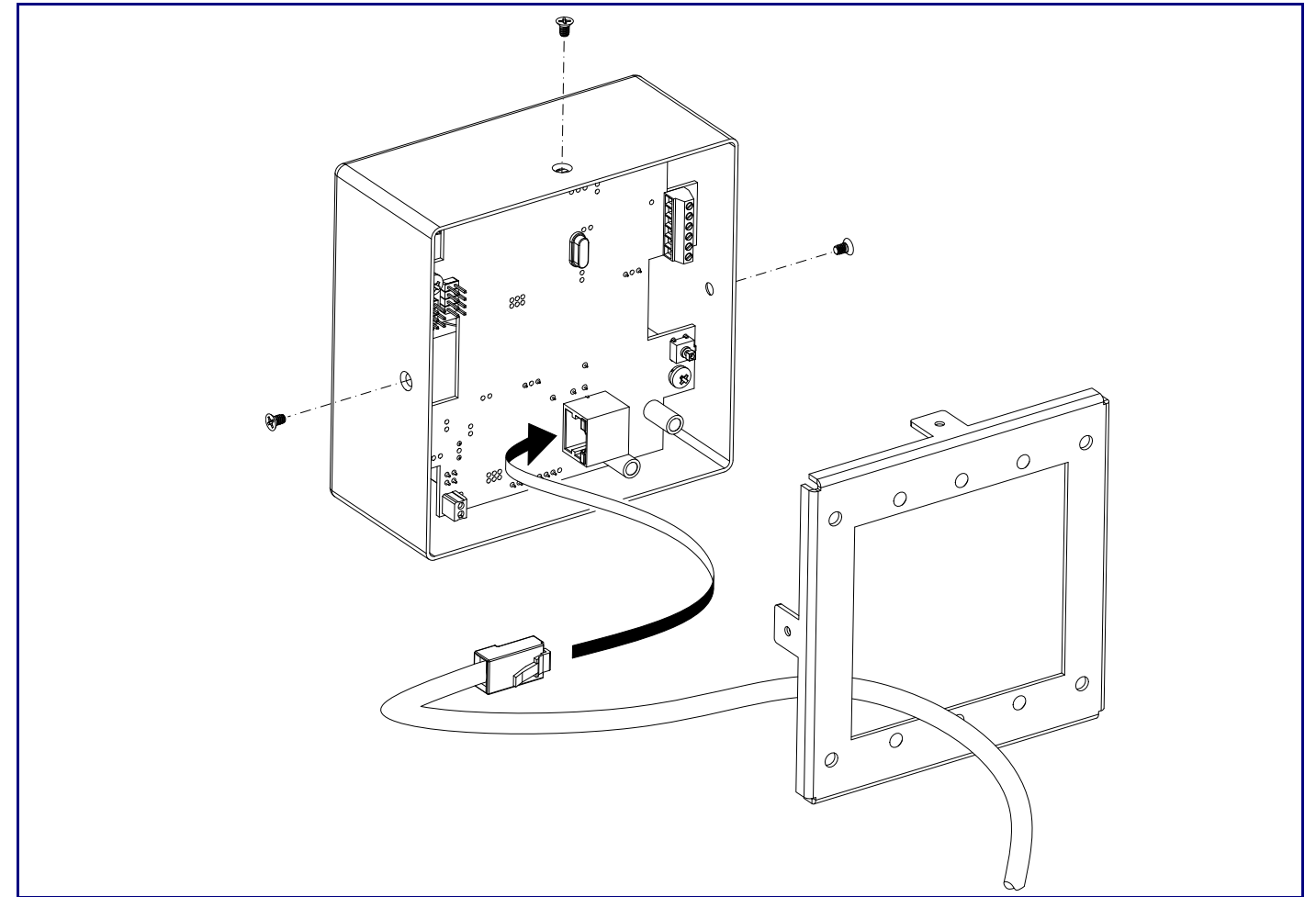
Dimensions



Terminal Block Connections



Cable Connections



Gang Box Mounting Options

