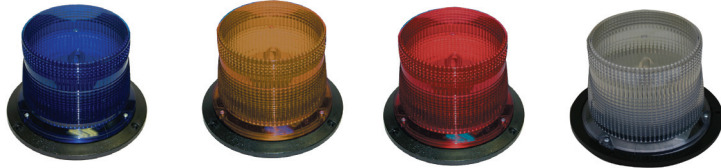


AC and DC MAX Strobes



**120 VAC
Double Flash**

	Color	Order Code
AC-MAX-A	Amber	8120
AC-MAX-B	Blue	8121
AC-MAX-C	Clear	8122
AC-MAX-R	Red	8124

**Double Flash w/
two 7 watt lamps**

	Color	Order Code
AC-MAXS-A	Amber	8125
AC-MAXS-B	Blue	8126
AC-MAXS-C	Clear	8127
AC-MAXS-R	Red	8129

**10.5 - 31.0 VDC
Double Flash**

	Color	Order Code
DC-MAX-A	Amber	8130
DC-MAX-B	Blue	8131
DC-MAX-C	Clear	8132
DC-MAX-R	Red	8134

**Double Flash w/
two 7 watt lamps**

	Color	Order Code
DC-MAXS-A	Amber	8135
DC-MAXS-B	Blue	8136
DC-MAXS-C	Clear	8137
DC-MAXS-R	Red	8139

AC-MAX and AC-MAXS		
Color	Effective Candela (cd)	Current Draw
Amber	80cd	0.20 @ 120 VAC
Blue	12cd	
Clear	100cd	
Red	20cd	
Steady Light Lamps		120 mA

DC-MAX and DC-MAXS		
Color	Effective Candela (cd)	Current Draw
Amber	80cd	1227 mA @ 10.5 VDC
Blue	12cd	1010 mA @ 12 VDC
Clear	100cd	470 mA @ 24 VDC
Red	20cd	344 mA @ 31 VDC
Steady Light Lamps		655 mA
DC Inrush		5A Max @ 12 V 10A Max @ 24 V 12A Max @ 31 V

Designed for high intensity, weather resistant visible warning signals for stationary or mobile use such as industrial signaling, strobe beacons, area identification and hazard warnings/alerting.

Available features and options:

Color: Amber, Blue, Clear, Red

Mounting: 1/2" pipe, surface mount, flange mount, standard 4" square backbox or the Wheelock WBB weather resistant backbox

Powerful double flash light burst

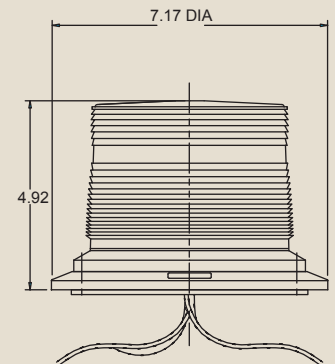
60 double flashes per minute

Durable Lexan® lens construction

AC and DC applications

Approvals: UL Standard 1638 for indoor and outdoor use

Series MAX



Note: Series MAX Strobes are not intended for wash down areas.