

Weatherproof Appliances - Series AH Audibles, AS Audible Strobes, MT Multitone Strobes, RSS Strobes and ET70 Speaker Strobes and Weatherproof Mounting Accessories



Description:

Designed for life safety, performance and reliability, Cooper Wheelock's cost effective weatherproof notification appliances include:

Weatherproof Appliances	Series
Strobes	RSSWP
Horn Strobes	ASWP
Horns	AH-24WP, AH-12WP
Multitone Horn Strobes	MTWP
Multitone Horns	MT
Speaker Strobes	ET70WP
Speakers	ET-1010

All strobe models are UL dual listed - meeting both UL1638 and UL1971 requirements. As dual listed appliances, these weatherproof strobes, horn strobes and speaker strobes are listed for outdoor applications under UL 1638 as well as under UL 1971, the Standard for Safety Signaling Devices for Hearing Impaired. With an extended temperature range of -31°F to 150°F (-40°C to 66°C), Wheelock weatherproof appliances meet or exceed UL outdoor test requirements for rain, humidity and corrosion resistance while providing multiple strobe intensity options, including the highest strobe ratings available for area coverage per NFPA 72 strobe spacing tables (up to 185 candela for wall mounting and 177 candela for ceiling mounting).

To enable weatherproof mounting, Cooper-Wheelock provides the industry's widest choice of mounting options for surface or unique semi-flush installation. Models are available for surface mounting to Wheelock weatherproof backboxes on walls or ceilings. The optional WP-KIT allows the weatherproof backboxes (IOB, WPBB or WPSBB) to be mounted to a recessed electrical box for concealed conduit installation. For semi-flush installation, the WPA and WFPA kits allow a customer to mount the weatherproof appliances to a recessed electrical box without the need for an external weatherproof backbox. See the Backboxes, Plates and Gaskets Table on page three of this document for a summarization of these mounting options and the required accessories.

When used in conjunction with Wheelock PS-24-8MC Power Supplies or SM/DSM Sync Modules, the Wheelock weatherproof appliances can be synchronized to meet NFPA 72 synchronization requirements. The horn output of horn strobes can be independently controlled on 2-wire circuits using the Wheelock patented sync protocol. MTWP horn strobe models are 4-wire appliances; the strobes can be synchronized while the audible can be connected to a coded fire alarm system or can be set to produce any of eight selectable tones.

Features:

- Approvals include: UL Standards 1971, 1638, 464 and 1480 California State Fire Marshal (CSFM) and New York City (MEA), Factory Mutual (FM) and Chicago (BFP) . See agency approvals by model number on page two of this document
- Compliance with the following requirements: NFPA, UFC, ANSI 117.1, OSHA Part 29, 1910.165, ADA
- Weatherproof with extended temperature range of -40°F to 150°F (-40°C to 66°C)*
- Dual Listed strobe models (UL 1638 and UL 1971)
- Industry's highest strobe candela options
- Synchronization capability using Series SM, DSM Synchron Modules (MTWP and MT-12/24 audible is non-sync)
- Models with field selectable tone, dBA and candela settings
- Wall or ceiling mounting options
- Surface or semi-flush mounting
- IN/OUT wiring termination accepting two #12-18 AWG wires at each terminal

*The series RSSWP, ASWP, MTWP and ET70WP have UL approval down to -40°F. The AH-24WP, MT-12/24 and the ET-1010 have been ULC tested and approved to -40°F, but not submitted to UL. The AH-12WP has UL/ULC approval to -31°F.



E5946
S5391
S2652



151-92-E



7125-0785:131 (ASWP)
7125-0785:146 (ET70WP)
7125-0785:156 (MTWP)
7300-0785:154 (RSSWP)



NOTE: All CAUTIONS and WARNINGS are identified by the symbol ▲. All warnings are printed in bold capital letters.

▲ WARNING: PLEASE READ THESE SPECIFICATIONS AND ASSOCIATED INSTALLATION INSTRUCTIONS CAREFULLY BEFORE USING, SPECIFYING OR APPLYING THIS PRODUCT. VISIT WWW.COOPERWHEELLOCK.COM OR CONTACT COOPER WHEELLOCK FOR THE CURRENT INSTALLATION INSTRUCTIONS. FAILURE TO COMPLY WITH ANY OF THESE INSTRUCTIONS, CAUTIONS OR WARNINGS COULD RESULT IN IMPROPER APPLICATION, INSTALLATION AND/OR OPERATION OF THESE PRODUCTS IN AN EMERGENCY SITUATION, WHICH COULD RESULT IN PROPERTY DAMAGE, AND SERIOUS INJURY OR DEATH TO YOU AND/OR OTHERS.

General Notes:

- Strobes are designed to flash at 1 flash per second minimum over their UL Listed Regulated Voltage Range.
- All candela ratings represent minimum effective Strobe intensity based on UL Standards 1971 and 1638 as indicated in candela ratings table.

Wall Mount



Strobe	Order Code
RSSWP-2475W-FR Red	9013
RSSWP-2475W-FW White	3034
RSSWP-24MCWH-FR Red	5161
RSSWP-24MCWH-FW White	5165

Audible Strobe	Order Code
ASWP-2475W-FR Red	9012
ASWP-24MCHW-FR Red	5137
ASWP-24MCWH-FW White	5140

Multi-tone Strobe	Order Code
MTWP-2475W-FR Red	8420
MTWP-2475W-FW White	3112
MTWP-24MCWH-FR Red	5132
MTWP-24MCWH-FW White	5134

Speaker Strobe	Order Code
ET70WP-2475W-FR Red	9077
ET70WP-2475W-FW White	3179
ET70WP-24185W-FR Red	4885
ET70WP-24185W-FW White	4891

Ceiling Mount



Strobe	Order Code
RSSWP-2475C-FR Red	4338
RSSWP-2475C-FW White	4446
RSSWP-24MCCH-FR Red	5167
RSSWP-24MCCH-FW White	5187

Audible Strobe	Order Code
ASWP-2475C-FR Red	4251
ASWP-2475C-FW White	4502
ASWP-24MCCH-FR Red	5149
ASWP-24MCCH-FW White	5157

Multi-tone Strobe	Order Code
MTWP-2475C-FR Red	4457
MTWP-2475C-FW White	4478
MTWP-24MCCH-FR Red	5102
MTWP-24MCCH-FW White	5122

Speaker Strobe	Order Code
ET70WP-2475C-FR Red	4452
ET70WP-2475C-FW White	4454
ET70WP-24177C-FR Red	4845
ET70WP-24177C-FW White	4859

Wall or Ceiling Mount



Audible	Order Code
AH-24WP-R Red	7416
AH-12WP-R Red	7415

Horn	Order Code
MT-12/24-R Red	5023

Speaker	Order Code
ET-1010-R Red	3135
ET-1010-W White	3137

UL Max. Current	AH	
	24 VDC	12 VDC
High (99) dBA	0.080	0.192
Med (95) dBA	0.043	0.108
Low (90) dBA	0.021	0.058

UL Reverberant dBA @ 10 Feet							
Watts	1/8	1/4	1/2	1	2	4	8
ET-1010	77	80	83	86	87	92	94
ET70WP	78	81	84	87	90	93	95

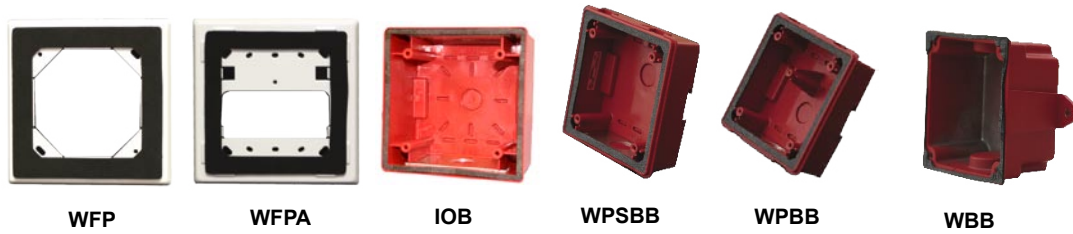
Series	Candela Ratings						
	UL 1971	UL 1638 @ 77°F	UL 1638 @ -40°F	RSS, ET70WP and MTWP UL Max Current (Strobe Only)	ASWP		
					High	Med	Low
2475	30**	180	75	0.138	0.168	0.155	0.150
MCWH	135	135	56	0.300	0.355	0.340	0.335
	185	185	77	0.420	0.480	0.465	0.460
MCCH	115	115	47	0.300	0.355	0.340	0.335
	177	177	73	0.420	0.480	0.465	0.460
24185	185	185	77	0.420	**Wall mount rating only		
24177	177	177	73	0.420			

UL Max. Current (Audible)	MTWP/MT 24 VDC		MT 12 VDC	
	HI	STD	HI	STD
Horn	0.108	0.044	0.177	0.034
Bell	0.053	0.024	0.095	0.020
March Time	0.104	0.038	0.142	0.034
Code 3 Horn	0.091	0.035	0.142	0.034
Code 3 Tone	0.075	0.035	0.105	0.021
Slow Whoop	0.098	0.037	0.142	0.035
Siren	0.104	0.036	0.152	0.030
Hi/Lo	0.057	0.025	0.114	0.026

Model Number	Agency Approvals				
	UL	MEA	CSFM	FM	BFP
Strobe					
RSSWP-2475	X	X	X	X	*
RSSWP-24MCWH	X	*	*	*	*
RSSWP-24MCCH	X	*	*	*	*
Audible Strobe					
ASWP-2475	X	X	X	X	X
ASWP-MCWH	X	*	*	*	*
ASWP-MCCH	X	*	*	*	*
Multitone Strobe					
MTWP-2475	X	X	X	X	*
MTWP-MCWH	X	*	*	*	*
MTWP-MCCH	X	*	*	*	*
Horns/Audibles					
AH-24WP	X	X	X	-	X
AH-12WP	X	X	X	-	X
MT-12/24	X	X	X	X	X
Speaker Strobe					
ET70WP-2475	X	X	X	*	*
ET70WP-185	X	*	*	*	*
ET70WP-177	X	*	*	*	*

*Pending

Mounting Accessories

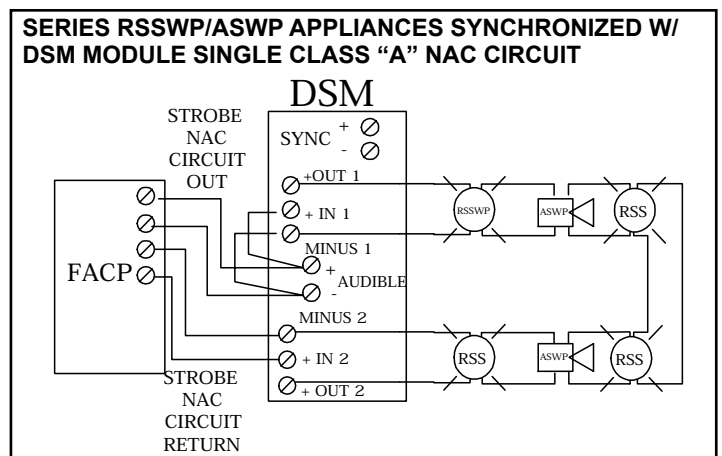
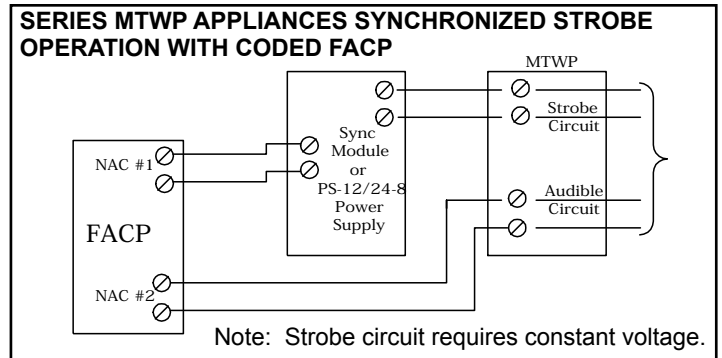
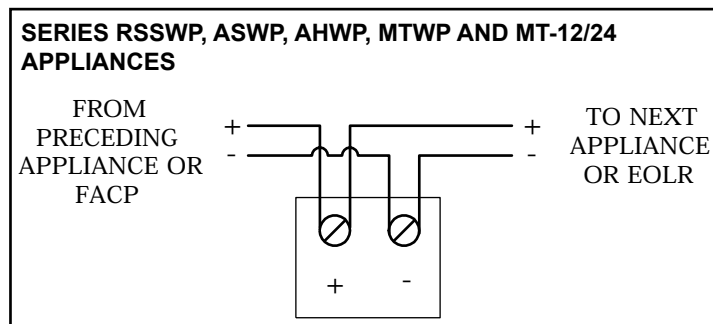
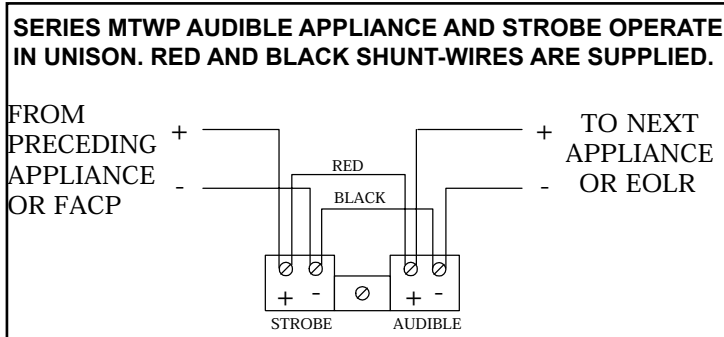


Gasket Kit		Order Code
WP-KIT		4486
Flush Plates		
WFPA-R	Red	4698
WFPA-W	White	4701
WFP-R	Red	4696
WFP-W	White	4697
Backboxes		
IOB-R	Red	5046
IOB-W	White	5047
WPSBB-R	Red	9751
WPSBB-W	White	3033
WPBB-R	Red	9014
WPBB-W	White	4692
WBB-R	Red	2959
WBB-W	White	2960

Mounting Options:

	Backboxes, Plates, Gasket Kits		
	Surface Mount		Flush Mount
	Exposed Conduit	Concealed Conduit	
RSSWP Strobes	WPSBB	WPSBB + WP-KIT	WFP
ET70WP Speaker Strobes	IOB	IOB + WP-KIT	WFP
ASWP Horn Strobes	WPBB	WPBB + WP-KIT	WFPA
AHWP Horns	WBB	-	WFP
ET-1010 Speakers	WBB	-	WFP
MTWP Multitone Horn Strobes	IOB	IOB + WP-KIT	WFP
Multitone Horn	IOB	IOB + WP-KIT	WFP

Wiring Diagrams



Note: Models are available in Red or White. Contact Customer Service for Order Code and Delivery.
#Refer to Data Sheet S7000 for Mounting Options

NOTE: Due to continuous development of our products, specifications and offerings are subject to change without notice in accordance with Wheelock Inc. standard terms and conditions.

ARCHITECTS AND ENGINEERS SPECIFICATIONS

General

Weatherproof notification appliances shall be UL listed for outdoor use. Weatherproof Strobe appliances shall be listed under UL Standard 1638 (Standard for Visual Signaling Appliances) for Indoor/Outdoor use and UL Standard 1971 (Standard for Safety Signaling Devices for Hearing Impaired). The appliances shall be available for optional wall mounting or ceiling mounting to weatherproof backboxes using either exposed conduit or concealed conduit, or semi-flush mounting to a recessed electrical box in walls or ceilings using Wheelock mounting accessories.

Weatherproof Strobes

Weatherproof Strobe appliances shall produce a minimum flash rate of 60 flashes per minute over the UL Regulated Voltage Range of 16 to 33 VDC and shall incorporate a Xenon flashtube. The weatherproof strobes shall be available with UL 1971 candela ratings up to 185 cd for wall mounting and 177 cd for ceiling mounting. UL 1638 candela ratings up to 180 cd at 77°F shall be available. The strobes shall operate over an extended temperature range of -40°F to 150°F (-40°C to 66°C) and be listed for maximum humidity of 95% RH. Strobe inputs shall be polarized for compatibility with standard reverse polarity supervision of circuit wiring by a Fire Alarm Control Panel (FACP).

Weatherproof Audibles and Audible/Strobe Combinations Weatherproof horns and multitone audibles shall be listed for Indoor/Outdoor use under UL Standard 464. The horns shall be able to produce a continuous output or a temporal code-3 output that can be synchronized. T□

Multitone audibles shall be able to produce 8 distinct tones selectable by dip switch and shall have at least 2 sound level settings. Multitone Audible/Strobe combinations shall have independent inputs for the audible and strobe. The strobes shall be able to be synchronized. The audibles shall be able to be coded when operated on a separate NAC.

Weatherproof Speakers and Speaker/Strobes

Weatherproof speakers and speaker/strobes shall be listed for Indoor/Outdoor use under UL Standard 1480. All speakers shall provide field selectable taps for 1/8W to 8W operation for either 25 VRMS or 70 VRMS audio systems and shall incorporate a sealed back construction for extra protection and improved audibility. Speakers without strobes shall be Wheelock Series ET-1010. They shall be listed to produce up to 94 dBA and shall incorporate a vandal resistant grille design. Speaker with strobes shall be Wheelock Series ET70WP. They shall be available for surface or semi-flush mounting to walls or ceilings and shall be listed to produce up to 93 dBA.

Synchronization Modules

When synchronization of strobes or temporal code-3 audibles is required, the appliances shall be compatible with the Wheelock Series SM and DSM Sync Modules or the Wheelock PS-24-8MC Power Supply with built-in, patented sync protocol. The strobes and audibles shall not drift out of synchronization at any time during operation.

Series ASWP audibles and strobes shall be able to be synchronized on a 2-wire circuit with the ability to silence the audible if required. The strobes on Series MT multitone audible/strobe appliances shall be able to be synchronized and shall be able to be operated on a separate circuit from the audibles while the audible circuit is connected to a coded or continuous NAC.

Weatherproof Mounting Accessories

Weatherproof mounting options shall include surface mounting or semi-flush mounting to walls or ceilings. Surface mounted appliances shall mount to Wheelock IOB, WBB, WPBB or WPSBB weatherproof backboxes using either exposed conduit or concealed conduit. For concealed conduit the weatherproof backbox shall be mounted to a recessed electrical box with Wheelock's WP-KIT to provide a weatherproof seal for the electrical box. Semi-flush mounted appliances shall mount to a recessed electrical box using Wheelock WFP or WFP-A flush plates to provide a weatherproof seal between the electrical box and the appliance.



273 Branchport Avenue
Long Branch, NJ 07740
Phone: (800) 631-2148
Fax: (732) 222-2588
www.cooperwheelock.com



WE ENCOURAGE AND SUPPORT NICET CERTIFICATION
3 YEAR WARRANTY
Made in USA

S9004 WP 10/06