

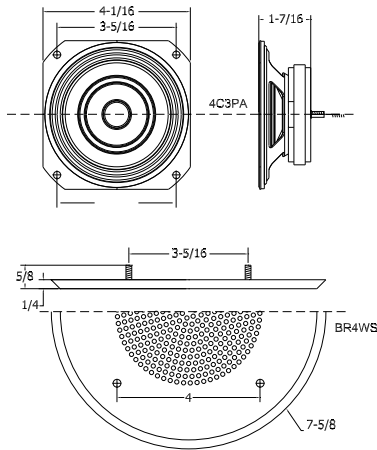


BR4WS

Welded Stud Mount Baffle

4C3PA
4" O.D. Loudspeaker
8-0hms

BAFFLES, ROUND



GENERAL DESCRIPTION

The Quam BR4WS is a 22 gage steel, round loudspeaker baffle with 4 welded 8-32 x 1" studs on the back surface. Finish: White baked epoxy hybrid.

RECOMMENDED ADDITIONAL QUAM COMPONENTS

Refer to Section 0104.6- Customer Specified Assembly or individual components listed below:

Transformers	5-tap, 10W, 5W, 4W, Color coded lead or rotary select
Back Boxes	Flush Mounted, Round
Loudspeaker Mounting Devices	SSB-4 Only

INTENDED USE

Indoor environment. For use with Quam 4C3PA loudspeaker shown above, and related components.

Recommended construction sequences, installation instructions and A&E Specifications are available in various formats in the QUAM Architects' and Engineers' Resources section on the web at: www.QuamSpeakers.com

QUAM-NICHOLS COMPANY

234 East Marquette Road, Chicago IL 60637
Phone: (800) NEED NOW Fax: (888) NEED NOW
(800) 633-3669 (888) 633-3669
E-Mail: NeedNow@QNC.com www.QuamSpeakers.com

