

ACOUSTIC BOOTHS

AB-100

(Sheet Aluminum)

AB-1000

(Glass Reinforced Plastic)

AB-100 with perforated galvanized steel liner¹



AB-1000 with a stainless steel liner over acoustic insulation



AB-1000 with high performance polyurethane acoustic liner¹



The sound proofing qualities of Guardian Telecom's acoustic booths greatly enhance communication in areas with high background noise levels, while protecting the apparatus and user from the elements.

FEATURES and BENEFITS

AB-100 – Sheet Aluminum

- Sheet Aluminum construction, powder coated
- Acoustic insulation: Noise Attenuation 24 dB
- Convenient writing shelf
- Metal mounting brackets included
- Can be used both indoors and outdoors. Not for use around salt water environments.

AB-1000 – Glass Reinforced Plastic

- Durable, lightweight reinforced laminate-fiberglass construction
- Noise Attenuation up to 25 dB depending on interior liner type
- Standard color – yellow (optional colors available, see back page²)
- Completely maintenance free, UV and corrosion resistant, impervious to chemical attack
- Convenient writing shelf
- Encapsulated strong points to securely mount stations and accessories
- Can be used both indoors, outdoors and offshore

APPLICATIONS

- Refineries
- Steel mills
- Mines
- Factories
- Aerospace
- Drilling rigs
- Nuclear facilities
- Chemical plants
- Bulk loading stations
- Offshore platforms (AB-1000 only)
- Any high noise industrial location and more . . .

ACCESSORIES and OPTIONS

Each Acoustic Booth can be fitted with a Guardian telephone suited for specific needs and requirements, and equipped with:

- An assortment of rugged industrial speakers including the SR40 explosion proof speaker/ringer, speaker or ringer (up to 110 dB)
- Strobe light
- Combination strobe light & sounder



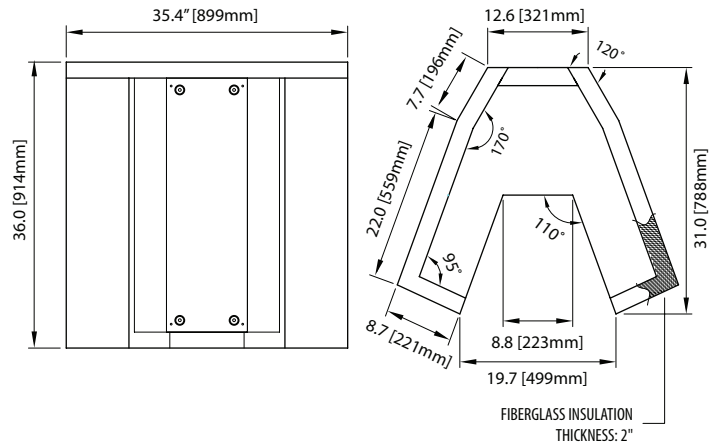
**Guardian
Telecom**



ISO-9001:2008 Certification
Today's Quality Creates Our Future

OVERALL DIMENSIONS AB-100 Acoustic Booth (Sheet Aluminum)

Body Construction 14 Ga Aluminum Outer Shell
 Body Dimensions (H x W x D) 36" x 36" x 31" (914 x 914 x 788 mm)
 Net Weight 100 lbs (45.4 kg)
 Shipping Weight w/o pallet 105 lbs (47.7 kg) w/pallet¹ 135 lbs (61.3 kg)
 Shipping Dimensions¹ (L x W x D) w/o pallet 40.0" x 35.0" x 37.0" (102 x 89 x 94 cm)
 Size w/pallet depends on size of pallet
 Finish Hammertone Grey – Powder Coated
 Liner White – Zinc Dichromate Plated & Powder Coated
 Acoustic Insulation 2" (50.8mm) Semi-rigid
 Standard Mounting Vertical Wall
 Optional Mounting Pole or Stanchion Mount Bracket



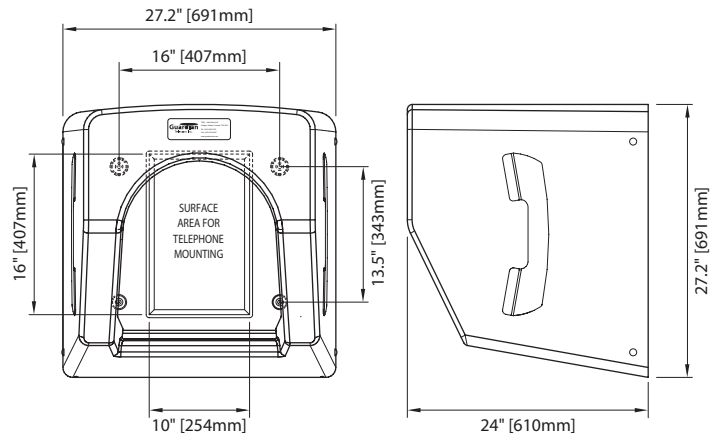
ORDERING INFORMATION

Warranty: One year parts and labor

Order No.	Description			Noise Attenuation (Up to)
	Shell	Perforated Galvanized Steel Liner	Fully Insulated	
P9010	●	●	●	24 dB

OVERALL DIMENSIONS AB-1000 Acoustic Booth (Glass Reinforced Plastic)

Body Construction Polyester/Fiberglass Reinforced Laminate Construction
 Net Weight Shell (P9038) 33.5 lbs (15.2 kg), Urethane (P9037) 40.0 lbs (18.2 kg)
 Polyurethane (P9039) 45.0 lbs (20.4 kg), Fully Lined (P9035) 45.0 lbs (20.4 kg)
 Shipping Weight Shell (P9038) 36.5 lbs (16.6 kg), Urethane (P9037) 43.0 lbs (19.5 kg)
 Polyurethane (P9039) 48.0 lbs (21.8 kg), Fully Lined (P9035) 48.0 lbs (21.8 kg)
 Shipping Dimensions¹ (L x W x D) 28.0" x 25.0" x 28.0" (71 x 64 x 71 cm)
 Finish Polyester Gelcoat Moulded into Finish
 Standard Mounting Vertical Wall
 Standard Color Yellow – Custom Colors Available¹



ORDERING INFORMATION

Warranty: One year parts and labor

Order No.	Description					Noise Attenuation (Up to)
	Shell	Urethane Coated Interior	Stainless Steel Liner	Acoustic Insulation	Polyurethane Acoustic Insert Liner	
P9035	●		●	●		23 dB
P9037	●	●				11 dB
P9038	●					8 dB
P9039	●				●	25 dB

ACCESSORIES

All acoustic booths can be fitted with a Guardian Telecom telephone and accessories suited for specific needs and requirements:

- Strobe Lights (Weather resistant, hazardous area and explosion proof)
- SR40 Explosion Proof Speaker/Ringer, Speaker or Ringer (up to 110dB)
- OEM Loudspeakers

¹ Telephones & accessories are sold separately. Shown for representation only.

² Minimum quantities or premiums may apply.

For details on custom options contact a Guardian Telecom sales representative.

Distributed by: