

MEDC Series



XB16



XB15 Pipe Mount (with cast guard)

These listed strobes have been designed for use in potentially explosive atmospheres and harsh environmental conditions. The enclosures are suitable for use offshore or onshore, where a lightweight product combined with corrosion resistance is required.

The housing is manufactured from a U.V. stable, glass reinforced polyester, with the lens manufactured from a U.V. stable polycarbonate. Stainless steel screws are used, ensuring a totally corrosion-free product.

The strobes contain supervisory diode and four wire leads for fire alarm applications. This strobe is also available UL 1971 (ADA) Listed for hearing impaired applications.

Units can be painted to customer specification and supplied with identification labels.

Applications:

- Condition signaling
- Security alert
- Equipment obstruction warning
- Emergency evacuation signaling

Features and Benefits:

- Pipe mount with 1/2" NPT entry
- Corrosion resistant GRP enclosure
- XB16 580,000 peak candlepower
XB15 520,000 peak candlepower
- Polycarbonate lens, various colors available†
- 4 wire diode monitored board
- Optional relay initiate
- Optional lens guard

†UL 1971 version available with clear lens only (XB16 only).

*Conforms to UL regulated voltage.


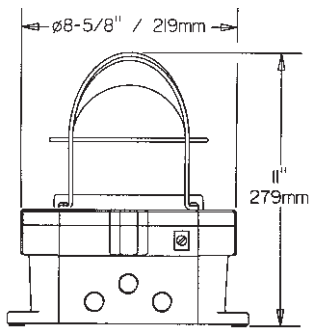
Certifications and Compliances:

- UL Listed for USA and Canada
 - Hazardous locations for USA and Canada
Class I, Div. 2, Groups A, B, C, D*
UL 1971 compliant version available
 - Ordinary locations: Visual Signal Device
- NEMA 4X and 6, IP66 & 67
- Certified temperature
 - 67°F to +158°F
 - 55°C to +70°C


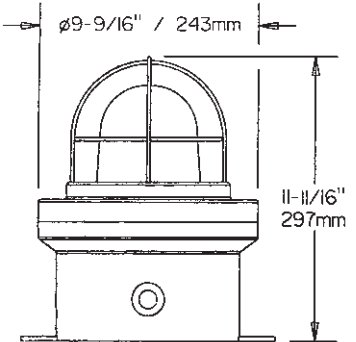
Typical Industries:

- Utility gas plants
- Wastewater treatment plants
- Mining
- Petroleum refineries
- Chemical and petrochemical
- Pulp and paper

MEDC Series

XB4		21 Joule Xenon Strobe—Explosionproof	
	Certification UL Listed for:	cULus, ATEX Class I, Div. 1, Groups C, D Class I, Zone 1, AExd IIB T4, T5	
	Certified Ambient Temperature	-67°F to +158°F -55°C to +70°C	
	Ingress Protection	NEMA 4X & 6 IP66 & 67	
	Material	Alloy	
	Entries	Up to 3 × 1/2" or 3/4" NPT, 20mm, 25mm	
	Weight	14.5lb/6.6kg	
	Options	Body & lens color, lens guard, certification, voltages 24V DC, 110V AC & 240V AC	
			

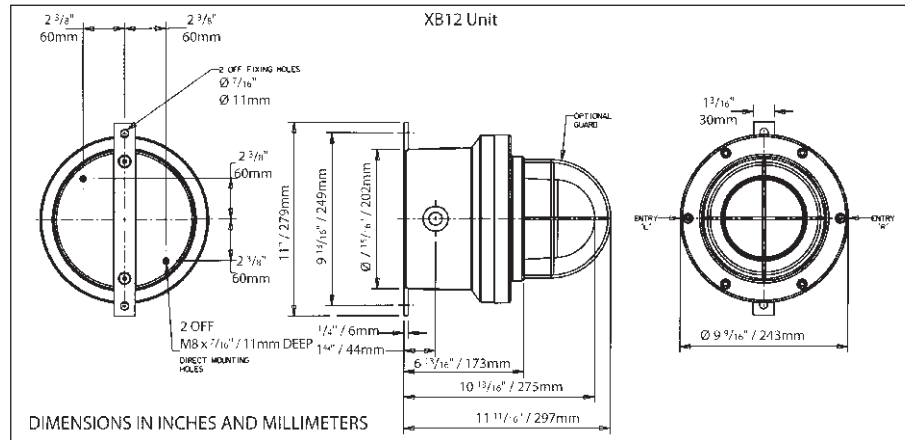
Certification	Voltage	Lens Color	Ordering Code	Cat. #	Standard Product Configuration
ATEX Approved Ex II 2G	24V DC	Red	814001	XB4BB8D2B3B06AN0RN1R	21 joules, 2 × M20 entries, 355Cd, 60 flashes per minute, no labels, red finish
ATEX Approved Ex II 2G	240V AC	Red	814002	XB4BH8D2B3B06AN0RN1R	
UL, cUL Listed, Class I, Div. 1, Groups C, D	24V DC	Red	869121	XB4ULB8D2E3E06ANRN1R	Marine grade alloy, 2 × 3/4" NPT entries, no lens guard, 60 flashes per minute, red finish
UL, cUL Listed, Class I, Div. 1, Groups C, D	24V DC	Amber	869122	XB4ULB8D2E3E06ANAN1R	
UL, cUL Listed, Class I, Div. 1, Groups C, D	110V AC	Red	869125	XB4ULE8D2E3E06ANRN1R	
UL, cUL Listed, Class I, Div. 1, Groups C, D	110V AC	Amber	869126	XB4ULE8D2E3E06ANAN1R	

XB12		21 Joule Xenon Strobe—Hazardous Locations	
	Certification UL Listed for:	cULus, ATEX Class I, Div. 2, Groups C, D Class I, Zones 1 & 2, AExd IIB T4	
	Certified Ambient Temperature	-67°F to +158°F -55°C to +70°C	
	Ingress Protection	NEMA 4X & 6 IP66 & 67	
	Material	Corrosion-free GRP	
	Entries	Up to 2 × 1/2" NPT, 20mm	
	Weight	15.5lb/7.0kg	
	Options	Body & lens color, lens guard, certification, voltages 24V DC, 110–254V AC	
			

Certification	Voltage	Lens Color	Ordering Code	Cat. #	Standard Product Configuration
ATEX Approved Ex II 2G	24V DC	Red	812101	XB12B02406RNBNNNN	21 joules, 2 × M20 entries, 355Cd, 60 flashes per minute, no labels, black body
ATEX Approved Ex II 2G	24V DC	Amber	812102	XB12B02406ANBNNNN	
ATEX Approved Ex II 2G	240V AC	Red	812103	XB12B24006RNBNNNN	
ATEX Approved Ex II 2G	240V AC	Amber	812104	XB12B24006ANBNNNN	
UL, cUL Listed, Class I, Div. 2, Groups C, D	24V DC	Red	869181	XB12UL02406RNBNNNR	Red painted GRP, no tag or duty labels, 2 × 1/2" NPT, 60 flashes per minute, 355 Cd
UL, cUL Listed, Class I, Div. 2, Groups C, D	24V DC	Amber	869182	XB12UL02406ANBNNNR	
UL, cUL Listed, Class I, Div. 2, Groups C, D	110V AC	Red	869185	XB12UL11006RNBNNNR	
UL, cUL Listed, Class I, Div. 2, Groups C, D	110V AC	Amber	869186	XB12UL11006ANBNNNR	

2S

MEDC Series



Specification – XB12

Certification:	UL Listed for USA and Canada – Hazardous locations: Class I, Div. 2, Groups C, D Class I, Zone 1 & 2, AExd IIB T4/T5 UL Listing No. E187894 – Ordinary locations: Visual Signal Device UL Listing No. S8128 ATEX approved: Exd IIB T4/T5 Cert. No. 99 ATEX 2196
Materials:	Body: Glass reinforced polyester Lens: Toughened Glass Cover Screws + Backstrap: Stainless steel 316
Finish:	Natural black or painted to customer specification
Weight:	15.5 lb/7.0kg
Certified Temperature:	–67°F to +158°F (–55°C to +70°C) hazardous locations –67°F to +131°F (–55°C to +55°C) ordinary locations
Ingress Protection:	NEMA 4X and 6, IP66 & 67
Terminals:	6 off suitable for up to 10 AWG conductor size
Labels:	Duty/tag label optional
Entries:	2 × 1/2" NPT, 20mm

Voltage	DC	AC 50/60Hz	
	24	110	240
XB12 Tube Energy (joules)	21	21	21
Peak Current Consumption (mA)	1400	350	185
Effective Intensity (Cd)	355	355	355
Peak Intensity (Cd)	123691	123691	123691
Power Consumption (Watts)	33.6	38.5	44.4

The Cd figures are for a clear lens @ 1Hz flash rate.

For Colored Lenses

Color	Red	Blue	Amber	Green	Yellow
Multiplying Factor	0.15	0.12	0.51	0.49	0.86

The photometric data has been verified by BSI. A report is available if required.

Ordering Requirements

The following code is designed to help in the selection of the correct unit. Build up the reference number by inserting the code for each component into the appropriate box.

Model Type	Certification	Voltage	Flash Rate	Lens Color	Lens Guard	Unit Fixing	Earth Continuity	Tag/Duty Label	Options	Unit Finish
XB12	<input type="checkbox"/>	<input type="checkbox"/>	06	<input type="checkbox"/>	<input type="checkbox"/>	B	N	N	N	<input type="checkbox"/>

Certification Code	
ATEX	B
UL	UL

Voltage Code	
24V DC	024
110V AC	110
240V AC	240
Other voltages available, please specify.	

Guard Code	
Yes	Y
No	N

Color Code	
Red	R
Blue	B
Green	G
Yellow	Y
Amber	A
Clear	C

Finish Code	
Natural Black	N
Red	R