

Strobe - 285 Candela, Hazardous Location XB16



Description:

These listed strobes have been designed for use in potentially explosive atmospheres and harsh environmental conditions. The enclosures are suitable for use offshore or onshore, where light weight combined with corrosion resistance is required.

The housing is manufactured from a U.V. stable, glass reinforced polyester, with the lens manufactured from a U.V. stable polycarbonate. Stainless steel screws are used ensuring a totally corrosion-free product.

The model XB16 contains polarization diode and four wire leads for fire alarm applications. This strobe is also available UL 1971 (ADA) listed for hearing impaired applications.

Units can be painted to customer specification and supplied with identification labels.

Architects and Engineers Specifications

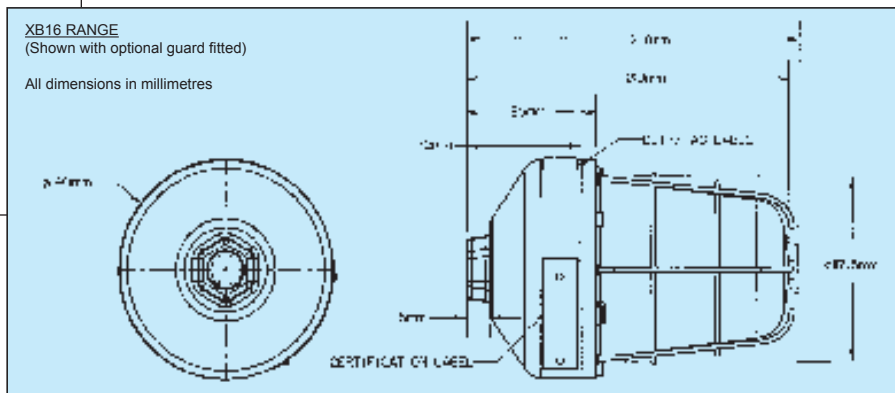
Strobes for hazardous locations and harsh environments shall be UL and cUL listed for Class I, Division 2, Groups A,B,C&D applications and shall be listed under UL Standard 1638 for Indoor/Outdoor use. The strobes shall be available with UL 1971 Listing (Standard for Safety Signaling Devices for Hearing Impaired). They shall be constructed of lightweight, UV stable glass reinforced polyester, shall be corrosion resistant, and shall meet NEMA 4x, NEMA 6, IP 66 and IP 67 environmental requirements over a temperature range of -67°F to 158°F (-55°C to 70°C).

The strobes shall be rated to flash at 1 Hz with 285 candela per flash. Rated current draw shall not exceed 890 mA at 24 vdc.

Features*:

- UL listed for USA and Canada
 - Hazardous locations for USA and Canada Class I, Div. 2, Groups A, B, C & D*
 - Class II, Div. 2, Groups F & G
 - UL 1971 compliant version available†
 - Ordinary locations: Visual Signal Device
 - ‘T’ Rating model dependent. Contact sales office for information
 - CSFM Listed
 - NEMA 4x & 6, IP66 & 67
 - Certified temperature -67°F to +158°F (-55°C to +70°C)
 - Pipe mount with ¼" NPT entry
 - Corrosion-free GRP enclosure
 - Polycarbonate lens, various colors available‡
 - 4 wire diode monitored board
 - Optional relay initiate
 - Optional lens guard
- *Conforms to UL Standard or regulated voltage
†UL 1971 version available with clear lens only.

Note: Due to continuous development of our products, specifications and offerings are subject to change without notice in accordance with Cooper Wheelock standard terms and conditions.



Specification

Certification:	UL Listed for USA and Canada: – Hazardous locations for USA and Canada: UL1604. Class I, Div 2, groups A, B, C & D. Class II, Div. 2, groups F & G UL listing No. E251185. – Ordinary locations: Visual Signal Device: UL1638. UL listing No. E251185. – Hazardous locations for hearing impaired: UL1971.
Material:	Body: Glass reinforced polyester. Lens: U.V. stable polycarbonate. Lens screws: stainless steel 316.
Finish:	Natural black or painted to customer specification.
Certified Temperature:	-67°F to +158°F (-55°C to +70°C)
Tube Energy:	10 Joules.
Tube life:	>1 x 10 ⁶ flashes.
Weight:	2.2lb./1.0 Kg.

Ingress Protection:	NEMA 4x & 6, IP66 & IP67.
Entries:	Standard 1 x 3/4" NPT pipe mount. (Contact Sales Office if 1/2" NPT is required).
Terminals:	8 x 14 AWG
Labels:	Tag/Duty label option.

Electrical ratings:		DC		AC				
Voltage		24	48	110	120	230	240	254
Current (A)		.89	.30	.38	.38	.22	.22	.18
Effective candlepower (Cd): 285 at 60 f.p.m.								
Tube energy (Joules)		10	10	10	10	10	10	10

UL 1971 On-axis output: 15 Cd.

Multiplying factor for colored lenses:

Red	Blue	Amber	Green	Yellow
0.15	0.12	0.51	0.49	0.86

Relay Initiate: 24V dc relay initiate only.

Configuration Options:

The following code is designed to help in the selection of the correct unit. Build up the reference number by inserting the code for each component into the appropriate box.

Model	Certification	Voltage	Flashrate	Lens Color	Guard	Other Options	Finish																																																																																
XB16	<input type="text"/>	<input type="text"/>	<input type="text"/>	<input type="text"/>	<input type="text"/>	<input type="text"/>	<input type="text"/>																																																																																
<table border="1"> <thead> <tr> <th>Certification</th> <th>Code</th> </tr> </thead> <tbody> <tr> <td>UL</td> <td>UL</td> </tr> <tr> <td>UL (ordinary locations)</td> <td>UW</td> </tr> <tr> <td>UL 1971</td> <td>US</td> </tr> </tbody> </table>		Certification	Code	UL	UL	UL (ordinary locations)	UW	UL 1971	US	<table border="1"> <thead> <tr> <th>Voltage</th> <th>Code</th> </tr> </thead> <tbody> <tr> <td>24 VDC</td> <td>024</td> </tr> <tr> <td>48 VDC</td> <td>048</td> </tr> <tr> <td>110 VAC</td> <td>110</td> </tr> <tr> <td>120 VAC</td> <td>120</td> </tr> <tr> <td>230 VAC</td> <td>230</td> </tr> <tr> <td>240 VAC</td> <td>240</td> </tr> <tr> <td>254 VAC</td> <td>254</td> </tr> </tbody> </table>		Voltage	Code	24 VDC	024	48 VDC	048	110 VAC	110	120 VAC	120	230 VAC	230	240 VAC	240	254 VAC	254	<table border="1"> <thead> <tr> <th>Flashrate</th> <th>Code</th> </tr> </thead> <tbody> <tr> <td>60 fpm</td> <td>60</td> </tr> <tr> <td>80 fpm</td> <td>80</td> </tr> <tr> <td>120 fpm</td> <td>120</td> </tr> </tbody> </table>		Flashrate	Code	60 fpm	60	80 fpm	80	120 fpm	120	<table border="1"> <thead> <tr> <th>Color</th> <th>Code</th> </tr> </thead> <tbody> <tr> <td>Red</td> <td>R</td> </tr> <tr> <td>Blue</td> <td>B</td> </tr> <tr> <td>Green</td> <td>G</td> </tr> <tr> <td>Amber</td> <td>A</td> </tr> <tr> <td>Yellow</td> <td>Y</td> </tr> <tr> <td>Clear</td> <td>C*</td> </tr> <tr> <td colspan="2">*UL 1971 version available with clear lens only</td> </tr> </tbody> </table>		Color	Code	Red	R	Blue	B	Green	G	Amber	A	Yellow	Y	Clear	C*	*UL 1971 version available with clear lens only		<table border="1"> <thead> <tr> <th>Option</th> <th>Code</th> </tr> </thead> <tbody> <tr> <td>Tag label</td> <td>T</td> </tr> <tr> <td>Duty label</td> <td>D</td> </tr> <tr> <td>Relay initiate*</td> <td>R</td> </tr> <tr> <td>None</td> <td>N</td> </tr> <tr> <td colspan="2">*Suitable for 24V dc supplies only.</td> </tr> </tbody> </table>		Option	Code	Tag label	T	Duty label	D	Relay initiate*	R	None	N	*Suitable for 24V dc supplies only.		<table border="1"> <thead> <tr> <th>Finish</th> <th>Code</th> </tr> </thead> <tbody> <tr> <td>Natural Black</td> <td>N</td> </tr> <tr> <td>Red</td> <td>R</td> </tr> <tr> <td>Blue</td> <td>B</td> </tr> <tr> <td>Yellow</td> <td>Y</td> </tr> <tr> <td>Green</td> <td>G</td> </tr> <tr> <td>White</td> <td>W</td> </tr> <tr> <td>Special Finish</td> <td>S</td> </tr> </tbody> </table>		Finish	Code	Natural Black	N	Red	R	Blue	B	Yellow	Y	Green	G	White	W	Special Finish	S
Certification	Code																																																																																						
UL	UL																																																																																						
UL (ordinary locations)	UW																																																																																						
UL 1971	US																																																																																						
Voltage	Code																																																																																						
24 VDC	024																																																																																						
48 VDC	048																																																																																						
110 VAC	110																																																																																						
120 VAC	120																																																																																						
230 VAC	230																																																																																						
240 VAC	240																																																																																						
254 VAC	254																																																																																						
Flashrate	Code																																																																																						
60 fpm	60																																																																																						
80 fpm	80																																																																																						
120 fpm	120																																																																																						
Color	Code																																																																																						
Red	R																																																																																						
Blue	B																																																																																						
Green	G																																																																																						
Amber	A																																																																																						
Yellow	Y																																																																																						
Clear	C*																																																																																						
*UL 1971 version available with clear lens only																																																																																							
Option	Code																																																																																						
Tag label	T																																																																																						
Duty label	D																																																																																						
Relay initiate*	R																																																																																						
None	N																																																																																						
*Suitable for 24V dc supplies only.																																																																																							
Finish	Code																																																																																						
Natural Black	N																																																																																						
Red	R																																																																																						
Blue	B																																																																																						
Yellow	Y																																																																																						
Green	G																																																																																						
White	W																																																																																						
Special Finish	S																																																																																						
					<table border="1"> <thead> <tr> <th>Guard</th> <th>Code</th> </tr> </thead> <tbody> <tr> <td>Yes</td> <td>Y</td> </tr> <tr> <td>None</td> <td>N</td> </tr> </tbody> </table>		Guard	Code	Yes	Y	None	N																																																																											
Guard	Code																																																																																						
Yes	Y																																																																																						
None	N																																																																																						

Standard Models

Series	Model Number	Order Code	Description
XB16	XB16US02460CYNR	109202-002	Strobe, Clear lens, 285 candela, 24 VDC, black finish

Note: When placing your order, please include Supervision Diode on products.



WE ENCOURAGE AND SUPPORT NICET CERTIFICATION
 3 YEAR WARRANTY
 XB16 08/11

NJ Location
 273 Branchport Ave.
 Long Branch, NJ 07740
 P: 800-631-2148
 F: 732-222-8707
 www.coopernotification.com

Cooper Notification is Wheelock® **MEDC SAFEPATH WAVES** **Roam Secure**

COOPERNotification