

MEDC Series



XB16



XB15 Pipe Mount (with cast guard)

These listed strobes have been designed for use in potentially explosive atmospheres and harsh environmental conditions. The enclosures are suitable for use offshore or onshore, where a lightweight product combined with corrosion resistance is required.

The housing is manufactured from a U.V. stable, glass reinforced polyester, with the lens manufactured from a U.V. stable polycarbonate. Stainless steel screws are used, ensuring a totally corrosion-free product.

The strobes contain supervisory diode and four wire leads for fire alarm applications. This strobe is also available UL 1971 (ADA) Listed for hearing impaired applications.

Units can be painted to customer specification and supplied with identification labels.

Applications:

- Condition signaling
- Security alert
- Equipment obstruction warning
- Emergency evacuation signaling

Features and Benefits:

- Pipe mount with 1/2" NPT entry
- Corrosion resistant GRP enclosure
- XB16 580,000 peak candlepower
XB15 520,000 peak candlepower
- Polycarbonate lens, various colors available†
- 4 wire diode monitored board
- Optional relay initiate
- Optional lens guard

†UL 1971 version available with clear lens only (XB16 only).

*Conforms to UL regulated voltage.

Certifications and Compliances:

- UL Listed for USA and Canada
 - Hazardous locations for USA and Canada
Class I, Div. 2, Groups A, B, C, D*
UL 1971 compliant version available
 - Ordinary locations: Visual Signal Device
- NEMA 4X and 6, IP66 & 67
- Certified temperature
 - 67°F to +158°F
 - 55°C to +70°C

Typical Industries:

- Utility gas plants
- Wastewater treatment plants
- Mining
- Petroleum refineries
- Chemical and petrochemical
- Pulp and paper

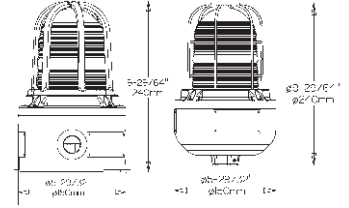
MEDC Series

XB15

15 Joule Flashing Xenon—Hazardous & Ordinary Locations



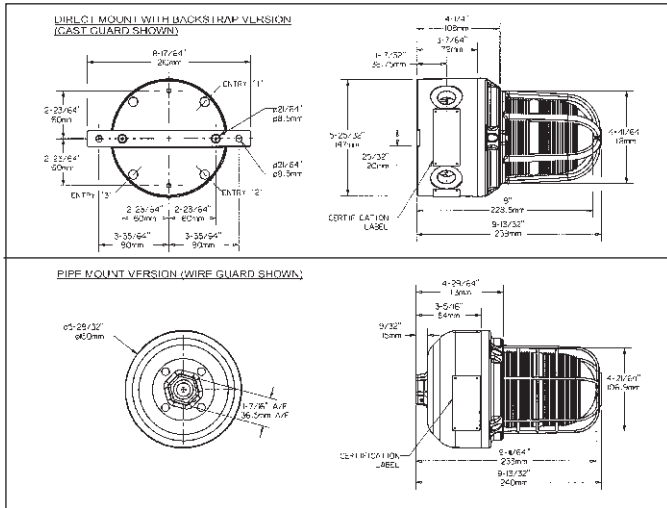
Certification UL Listed for:	cULus, ATEX Class I, Div. 2, Groups A, B, C, D Class I, Zones 1 & 2, AExd IIC T5/T6
Certified Ambient Temperature	-67°F to +158°F -55°C to +70°C
Ingress Protection	NEMA 4X & 6 IP66 & 67
Material	Corrosion-free GRP
Entries	Up to 3 x 1/2" NPT or 3 x 3/4" NPT
Weight	6–8lb/2.6–3.6kg
Options: Body & lens color, voltages 12–48V DC, 110–254V AC	



Certification	Voltage	Lens Color	Ordering Code	Cat. #	Standard Product Configuration
UL, cUL Listed, Class I, Div. 2, Groups A, B, C, D	120V AC	Red	869400	XB15UL12006RWBNN	15 joules, direct mount w/backstrap , x 3/4" NPT side entries, wire guard, 60 flashes per minute, natural black finish
UL, cUL Listed, Class I, Div. 2, Groups A, B, C, D	120V AC	Amber	869401	XB15UL12006AWBNN	
UL, cUL Listed, Class I, Div. 2, Groups A, B, C, D	120V AC	Red	869402	XB15UL12006RWPNN	15 joules, pipe mount , 1 x 3/4" NPT entry, wire guard, 60 flashes per minute, natural black finish
UL, cUL Listed, Class I, Div. 2, Groups A, B, C, D	120V AC	Amber	869403	XB15UL12006AWPNN	
UL, cUL Listed, Class I, Div. 2, Groups A, B, C, D	24V DC	Clear	27600042	XB15UL02406CWBNN	15 joule beacon, 60 flashes per minute, wire guard, backstrap , 2 x 3/4" NPT entries, natural black enclosure
UL, cUL Listed, Class I, Div. 2, Groups A, B, C, D	24V DC	Green	27600043	XB15UL02406GWBNN	
UL, cUL Listed, Class I, Div. 2, Groups A, B, C, D	24V DC	Blue	869393	XB15UL02406BWBNN	
UL, cUL Listed, Class I, Div. 2, Groups A, B, C, D	24V DC	Red	869398	XB15UL02406RWBNN	
UL, cUL Listed, Class I, Div. 2, Groups A, B, C, D	24V DC	Amber	869399	XB15UL02406AWBNN	
UL, cUL Listed, Class I, Div. 2, Groups A, B, C, D	24V DC	Clear	27600047	XB15UL02406CWPNN	
UL, cUL Listed, Class I, Div. 2, Groups A, B, C, D	24V DC	Green	27600048	XB15UL02406GWPNN	15 joule beacon, 60 flashes per minute, wire guard, pipe mounting , 1 x 3/4" NPT entry, natural black enclosure
UL, cUL Listed, Class I, Div. 2, Groups A, B, C, D	24V DC	Blue	869394	XB15UL02406BWPNN	
UL, cUL Listed, Class I, Div. 2, Groups A, B, C, D	24V DC	Red	869396	XB15UL02406RWPNN	
UL, cUL Listed, Class I, Div. 2, Groups A, B, C, D	24V DC	Amber	869397	XB15UL02406AWPNN	
UL, cUL Listed, Class I, Div. 2, Groups A, B, C, D	120V AC	Clear	27600052	XB15UL12006CWBNN	15 joule beacon, 60 flashes per minute, wire guard, backstrap , 2 x 3/4" NPT entries, natural black enclosure
UL, cUL Listed, Class I, Div. 2, Groups A, B, C, D	120V AC	Green	27600053	XB15UL12006GWBNN	
UL, cUL Listed, Class I, Div. 2, Groups A, B, C, D	120V AC	Blue	869405	XB15UL12006BWBNN	
UL, cUL Listed, Class I, Div. 2, Groups A, B, C, D	120V AC	Clear	27600057	XB15UL12006CWPNN	15 joule beacon, 60 flashes per minute, wire guard, pipe mounting, 1 x 3/4" NPT entry, natural black enclosure
UL, cUL Listed, Class I, Div. 2, Groups A, B, C, D	120V AC	Green	27600058	XB15UL12006GWPNN	
UL, cUL Listed, Class I, Div. 2, Groups A, B, C, D	120V AC	Blue	869404	XB15UL12006BWPNN	

2S

MEDC Series



Specification – XB15 Unit

Certification: UL Listed for USA and Canada:
 – Hazardous locations
 Class I, Div. 2, Groups A, B, C, D
 Class I, Zone 1, AExd IIC T5/T6
 UL listing No. E187894
 – Ordinary locations: Visual Signal Device
 UL listing No. S8128
 CENELEC/ATEX approved
 CENELEC EN50014 & EN50018
 ATEX Cert. No. Baseefa 04ATEX0009X

Material: Body: Glass reinforced polyester
 Lens: Glass
 Backstrap: stainless steel 316
 Wire Guard (optional): stainless steel wire
 Cast Guard (optional): aluminium LM25M

Finish: Natural black or epoxy painted to customer specification

Voltage: 24, 48V DC
 110, 120, 230, 240, 254V AC

Tube Energy: 15 joules

Tube Life: >1 × 10⁶ flashes

Flash Rate: 60, 80, 120 fpm

Certified Temperature: –67°F to +131°F (–55°C to +55°C) T6

–67°F to +158°F (–55°C to +70°C) T5

Weight: Pipe mount: 5.75 lb/2.6kg; Direct mount: 6.5 lb/3.0kg

Ingress Protection: NEMA 4X & 6, IP66 & IP67

Entries: Supplied as 2 × 3/4" NPT (direct mount) or 3/4" (pipe mount) as standard
 Other options available:
 Up to 3 × 1/2" NPT or 3 × 3/4" NPT (direct mount);
 1/2" NPT (pipe mount) — contact sales office to order

Terminals: Direct mount: 12 x 14AWG
 Pipe mount: 8 x 14AWG

Relay Initiate: Available on all units — suitable for 24V DC supplies only

Labels: Tag/Duty label option

Electrical Ratings:

	DC			AC			
	24	48	110	120	230	240	254
Voltage	24	48	110	120	230	240	254
Current (A) at 60 fpm	.78	.67	0.4	0.4	0.2	0.2	0.17
Current (A) at 80 fpm	.99	.73	0.4	0.4	0.2	0.2	0.17
Current (A) at 120 fpm	.99	.73	0.4	0.4	0.2	0.2	0.17
Effective Candlepower	330 (Effective candlepower is the intensity that would appear to an observer if the light was burning steadily)						
Peak Candlepower	520,000 (Peak candlepower is the maximum light intensity generated by a flashing light during its light pulse)						

Multiplying Factor for Colored Lenses:

Red	Blue	Amber	Green	Yellow
0.15	0.12	0.51	0.49	0.86

Ordering Requirements

The following code is designed to help in the selection of the correct unit. Build up the reference number by inserting the code for each component into the appropriate box.

Model	Certification	Voltage	Lens Flashrate	Lens Color	Unit Guard	Fixing	Unit Options	Finish
XB15	<input type="text"/>	<input type="text"/>	06	<input type="text"/>	<input type="text"/>	<input type="text"/>	N	N

Certification	Code
ATEX	B
UL	UL

Voltage	Code
24V DC	024
110V AC	110
120V AC	120
240V AC	240

Lens Flashrate	Code
08	80 fpm
12	120 fpm

Guard	Code
None	N
Cast	C
Wire	W

Color	Code
Red	R
Blue	B
Green	G
Amber	A
Yellow	Y
Clear	C

Unit Fixing	Code
Pipe mount	P*
Direct w/backstrap	B

*Not available on ATEX version.