

Intrinsically Safe (Exia), Exd, Weatherproof



Features

- Zone 0, Zone 1 and Zone 2 use*.
- Exia IIC T4 or Exd IIC T5/T6.
- ATEX approved, Ex II 1G (Exia) Ex II 2GD (Exd).
- BASEEFA certified
- UL Listed (PB only), Class I, Div 1, Groups C & D.
- CSA certified.
- IECEx certified Gb, Db.
- GOST 'R' & 'K'* certified.
- Chinese (CQST) certified.
- Brazilian (Inmetro) certified.
- IP66 and IP67.
- Certified temperature: -55°C to +70°C*.
- Stainless steel or marine grade alloy.
- Robust yet lightweight.
- Easy to maintain.

*Depending on version.

Introduction

These manual fire alarm, emergency shutdown breakglass and pushbutton units have been designed for the most arduous environmental conditions. The units are both easy to install and maintain. Intrinsically safe Exia and flameproof Exd versions of each model are available.

A choice of either stainless steel or alloy makes the range suitable for either the offshore or onshore industries.



Specification

Type:	Breakglass unit, latching	Type SM87BGL
	Lift flap, Breakglass, latching	Type SM87LBGL
	Push button, latching, key reset	Type SM87PBL
	Push button, self reset	Type SM87PBM

Certification:	Ex d certified to IEC60079-0, IEC60079-1, IEC60079-31
	Ex d certified to EN60079-0, EN60079-1, EN60079-31
	Exia certified to IEC60079-0, IEC60079-11, IEC60079-26
	Exia certified to EN60079-0, EN60079-11, EN60079-26
	Ex d ATEX Cert. No. Baseefa03ATEX0075
	Ex II 2 GD Ex d IIC T5/T6 Gb, Ex tb IIIC T85°C/T100°C Db
	Exia ATEX Cert. No. Baseefa02ATEX0152X
	Ex II 1 G Ex ia IIC T4 Ga
	Ex d IECEx Cert. No. IECEx BAS 09.0060
	Ex d IIC T5/6 Gb, Ex tb T85°C/T100°C Db
	Exia IECEx Cert. No. IECEx BAS 10.0033X
	Exia IIC T4 Ga
	UL Listed: Class I, Div1 Groups C & D (PBL only).
	Listing No: 186629.
	CSA Certification: Class I Groups A-D I.S. version (SM87 PBL only).
	Class I, Div 1 & 2, Group D (Exd – SM87 PB & SM87 BG).
	GOST 'R' Certification: 1Exib IIC T4, 1Exd IIC T4
	Russian Fire Approval
	GOST 'K' Certification: Exib IIC T4.
	Chinese Certification: CQST – Exia IIC T4, Exd IIC T5/T6. †
	Brazilian (Inmetro) Certification: BR-Ex d IIC T5/T6, BR-Ex ia IIC T4

Material:	Grade 316 AN4B Stainless Steel or LM 25 TF Marine Grade Alloy.
------------------	--

Finish:	Paint finish as standard or to customer specification.
----------------	--

Voltage:	Exd 24V a.c./d.c. Exia 28V.
-----------------	-----------------------------

Rating:	2 amp.
----------------	--------

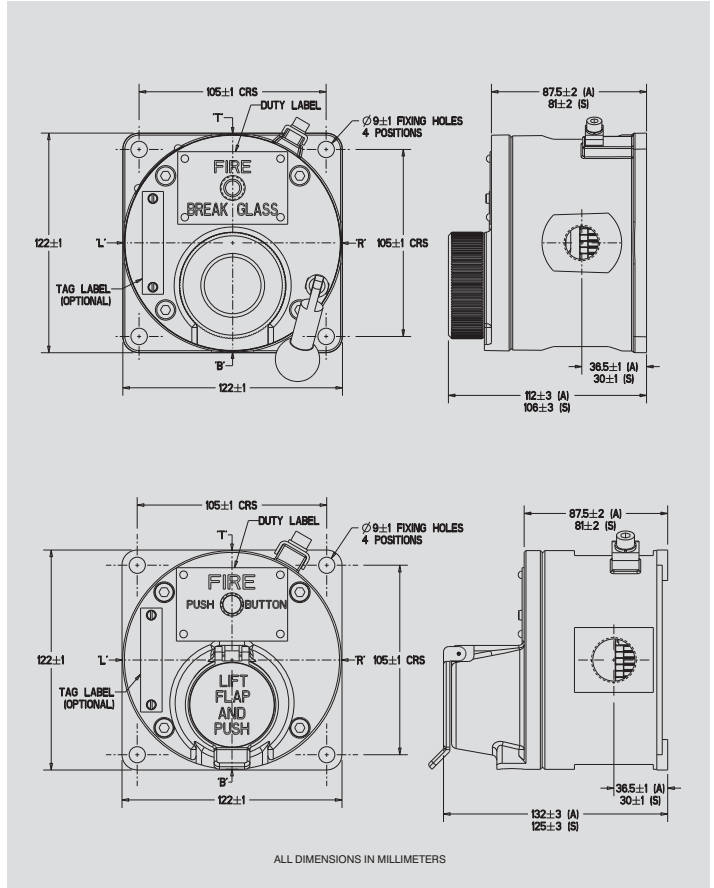
Switches	2 pole c/o, wired to terminals. Optional up to 4 pole (UL version 2 pole only).
-----------------	--

Optional Indicator:	A red high intensity LED can be fitted for alarm indication.
----------------------------	--

Certified Temp:	Exd* -55°C to +70°C. Exi* -55°C to +55°C. -20°C to +55°C (LED version only).
	UL -55°C to +70°C, -20°C to +55°C (LED version only).
	CSA -50°C to +55°C (Exd), -50°C to +40°C (Exi).
	*Note: includes ATEX, IECEx, GOST, Brazilian & Chinese versions.

Weight:	3-8 kg. steel (approx.) or 2.5 kg. alloy (approx.).
----------------	---

Ingress Protection:	IP66 and IP67. SM87 PB IP68 (40m for 8 hours).
----------------------------	--



Both the Exia units and the Exd units have the same external appearance. Also the internal components are identical throughout the range. Each unit can be wired for either NO, NC or CO contacts to customer specification.

Entries:	Up to 4 x M20 or M25 ISO Exd/Exia. Up to 4 x 1/2" or 3/4" NPT UL
-----------------	---

Terminals:	Will accept up to 2.5mm ² cable.
-------------------	---

Resistor Values:	470R minimum (d.c. & I.S. units only).
-------------------------	--

Ordering Requirements

The following code is designed to help in selection of the correct unit. Build up the reference number by inserting the code for each component into the appropriate box.

Unit	Model	Material	Certification	Entries	Duty Label	Tag Label	Options	Finish																																																																																																																					
SM87	[]	[]	[]	[]	[]	[]	[]	[]																																																																																																																					
<table border="1" style="width:100%; border-collapse: collapse;"> <tr> <th>*Model</th> <th>Code</th> </tr> <tr> <td>Breakglass Latching</td> <td>BGL</td> </tr> <tr> <td>Lift Flap Breakglass Latching</td> <td>LBGL</td> </tr> <tr> <td>Push Button Latching key reset</td> <td>PBL</td> </tr> <tr> <td>Push Button Only</td> <td>PBM</td> </tr> <tr> <td>Momentary Action</td> <td></td> </tr> </table>		*Model	Code	Breakglass Latching	BGL	Lift Flap Breakglass Latching	LBGL	Push Button Latching key reset	PBL	Push Button Only	PBM	Momentary Action		<table border="1" style="width:100%; border-collapse: collapse;"> <tr> <th>Certification</th> <th>Code</th> </tr> <tr> <td>Exia</td> <td>I</td> </tr> <tr> <td>Exd</td> <td>D</td> </tr> <tr> <td>IECEX Exi</td> <td>IJ</td> </tr> <tr> <td>IECEX Exd</td> <td>DJ</td> </tr> <tr> <td>UL</td> <td>UL</td> </tr> <tr> <td>CSA – Exi</td> <td>IC</td> </tr> <tr> <td>CSA – Exd</td> <td>DC</td> </tr> <tr> <td>GOST 'K' – Exi</td> <td>IK</td> </tr> <tr> <td>GOST 'R' Exi</td> <td>IG*</td> </tr> <tr> <td>GOST 'R' Exd</td> <td>DG*</td> </tr> <tr> <td>Chinese Exi</td> <td>IQ†</td> </tr> <tr> <td>Chinese Exd</td> <td>DQ†</td> </tr> <tr> <td>Inmetro Exi</td> <td>IM</td> </tr> <tr> <td>Inmetro Exd</td> <td>DM</td> </tr> </table>		Certification	Code	Exia	I	Exd	D	IECEX Exi	IJ	IECEX Exd	DJ	UL	UL	CSA – Exi	IC	CSA – Exd	DC	GOST 'K' – Exi	IK	GOST 'R' Exi	IG*	GOST 'R' Exd	DG*	Chinese Exi	IQ†	Chinese Exd	DQ†	Inmetro Exi	IM	Inmetro Exd	DM	<table border="1" style="width:100%; border-collapse: collapse;"> <tr> <th>Entries</th> <th>Code</th> </tr> <tr> <td>M20</td> <td>1</td> </tr> <tr> <td>M25</td> <td>2</td> </tr> <tr> <td>1/2" NPT</td> <td>3</td> </tr> <tr> <td>3/4" NPT</td> <td>4</td> </tr> <tr> <td>Other</td> <td>5</td> </tr> <tr> <th>Position</th> <th></th> </tr> <tr> <td>Top</td> <td>*T</td> </tr> <tr> <td>Bottom</td> <td>*B</td> </tr> <tr> <td>RHS</td> <td>*R</td> </tr> <tr> <td>LHS</td> <td>*L</td> </tr> </table>		Entries	Code	M20	1	M25	2	1/2" NPT	3	3/4" NPT	4	Other	5	Position		Top	*T	Bottom	*B	RHS	*R	LHS	*L	<table border="1" style="width:100%; border-collapse: collapse;"> <tr> <th>Duty Label</th> <th>Code</th> </tr> <tr> <td>Fire-Breakglass</td> <td>1</td> </tr> <tr> <td>Push Button</td> <td>2</td> </tr> <tr> <td>Fire-Push Button</td> <td>3</td> </tr> <tr> <td>ESDO-Abandon</td> <td>4</td> </tr> <tr> <td>Other</td> <td>0*</td> </tr> <tr> <td>None</td> <td>N</td> </tr> </table>		Duty Label	Code	Fire-Breakglass	1	Push Button	2	Fire-Push Button	3	ESDO-Abandon	4	Other	0*	None	N	<table border="1" style="width:100%; border-collapse: collapse;"> <tr> <th>Options</th> <th>Code</th> </tr> <tr> <td>Not required</td> <td>N</td> </tr> <tr> <td>LED</td> <td>A</td> </tr> <tr> <td>Resistor Series</td> <td>G*</td> </tr> <tr> <td>Resistor EOL</td> <td>H*</td> </tr> <tr> <td>Diode</td> <td>D*</td> </tr> <tr> <td>3 Pole</td> <td>T</td> </tr> <tr> <td>c/o Switch</td> <td></td> </tr> <tr> <td>4 Pole</td> <td>F</td> </tr> <tr> <td>c/o Switch</td> <td></td> </tr> <tr> <td>Other</td> <td>0*</td> </tr> </table>		Options	Code	Not required	N	LED	A	Resistor Series	G*	Resistor EOL	H*	Diode	D*	3 Pole	T	c/o Switch		4 Pole	F	c/o Switch		Other	0*	<table border="1" style="width:100%; border-collapse: collapse;"> <tr> <th>Finish</th> <th>Code</th> </tr> <tr> <td>Red</td> <td>R</td> </tr> <tr> <td>Blue</td> <td>B</td> </tr> <tr> <td>Yellow</td> <td>Y</td> </tr> <tr> <td>Yellow/</td> <td>X</td> </tr> <tr> <td>Black Stripes</td> <td></td> </tr> <tr> <td>Special</td> <td>S*</td> </tr> </table>		Finish	Code	Red	R	Blue	B	Yellow	Y	Yellow/	X	Black Stripes		Special	S*
*Model	Code																																																																																																																												
Breakglass Latching	BGL																																																																																																																												
Lift Flap Breakglass Latching	LBGL																																																																																																																												
Push Button Latching key reset	PBL																																																																																																																												
Push Button Only	PBM																																																																																																																												
Momentary Action																																																																																																																													
Certification	Code																																																																																																																												
Exia	I																																																																																																																												
Exd	D																																																																																																																												
IECEX Exi	IJ																																																																																																																												
IECEX Exd	DJ																																																																																																																												
UL	UL																																																																																																																												
CSA – Exi	IC																																																																																																																												
CSA – Exd	DC																																																																																																																												
GOST 'K' – Exi	IK																																																																																																																												
GOST 'R' Exi	IG*																																																																																																																												
GOST 'R' Exd	DG*																																																																																																																												
Chinese Exi	IQ†																																																																																																																												
Chinese Exd	DQ†																																																																																																																												
Inmetro Exi	IM																																																																																																																												
Inmetro Exd	DM																																																																																																																												
Entries	Code																																																																																																																												
M20	1																																																																																																																												
M25	2																																																																																																																												
1/2" NPT	3																																																																																																																												
3/4" NPT	4																																																																																																																												
Other	5																																																																																																																												
Position																																																																																																																													
Top	*T																																																																																																																												
Bottom	*B																																																																																																																												
RHS	*R																																																																																																																												
LHS	*L																																																																																																																												
Duty Label	Code																																																																																																																												
Fire-Breakglass	1																																																																																																																												
Push Button	2																																																																																																																												
Fire-Push Button	3																																																																																																																												
ESDO-Abandon	4																																																																																																																												
Other	0*																																																																																																																												
None	N																																																																																																																												
Options	Code																																																																																																																												
Not required	N																																																																																																																												
LED	A																																																																																																																												
Resistor Series	G*																																																																																																																												
Resistor EOL	H*																																																																																																																												
Diode	D*																																																																																																																												
3 Pole	T																																																																																																																												
c/o Switch																																																																																																																													
4 Pole	F																																																																																																																												
c/o Switch																																																																																																																													
Other	0*																																																																																																																												
Finish	Code																																																																																																																												
Red	R																																																																																																																												
Blue	B																																																																																																																												
Yellow	Y																																																																																																																												
Yellow/	X																																																																																																																												
Black Stripes																																																																																																																													
Special	S*																																																																																																																												
<p>* UL version only available in PBL model.</p>		<p>* Russian Fire Approval as standard. † Not suitable for use in China on fire alarm systems</p>		<p>* Please specify</p>		<p>* Please specify</p>		<p>* Please specify</p>																																																																																																																					
<table border="1" style="width:100%; border-collapse: collapse;"> <tr> <th>*Material</th> <th>Code</th> </tr> <tr> <td>Stainless Steel</td> <td>S</td> </tr> <tr> <td>Alloy</td> <td>A</td> </tr> </table>		*Material	Code	Stainless Steel	S	Alloy	A	<table border="1" style="width:100%; border-collapse: collapse;"> <tr> <th>Label</th> <th>Code</th> </tr> <tr> <td>Required</td> <td>Y*</td> </tr> <tr> <td>Not Required</td> <td>N</td> </tr> </table>		Label	Code	Required	Y*	Not Required	N	<p>* Please specify</p>		<p>* Please specify</p>		<p>* Please specify</p>																																																																																																									
*Material	Code																																																																																																																												
Stainless Steel	S																																																																																																																												
Alloy	A																																																																																																																												
Label	Code																																																																																																																												
Required	Y*																																																																																																																												
Not Required	N																																																																																																																												